



EVOTECH®
P E R F O R M A N C E

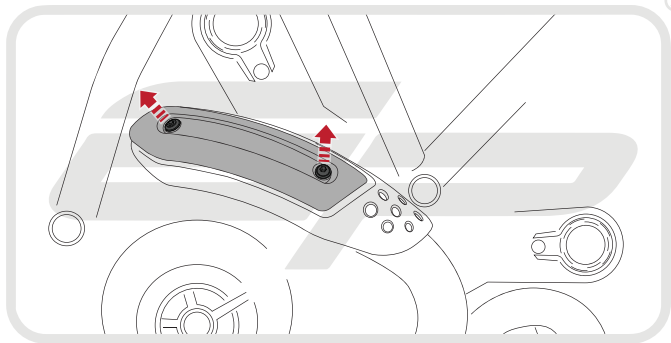
Installation Instructions

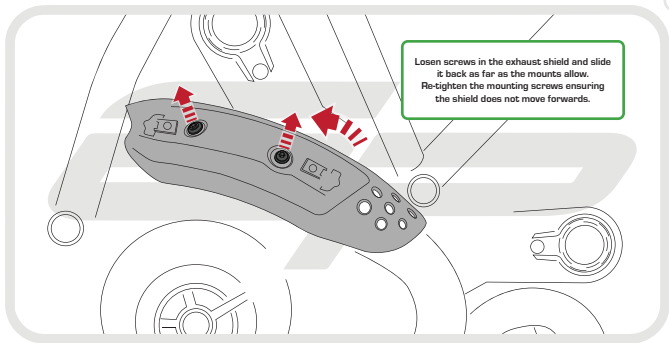
DUCATI SCRAMBLER 2015 CRASH PROTECTION

Product Reference - 12248

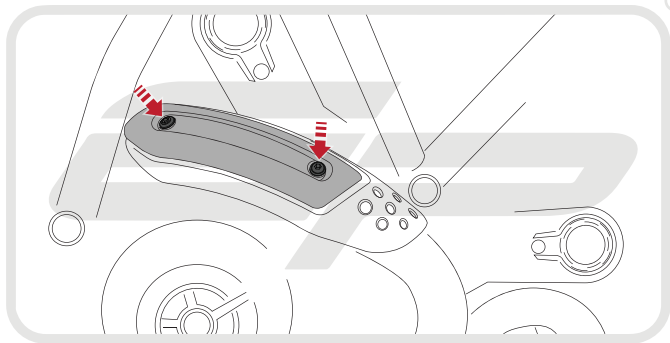
Kit Contents

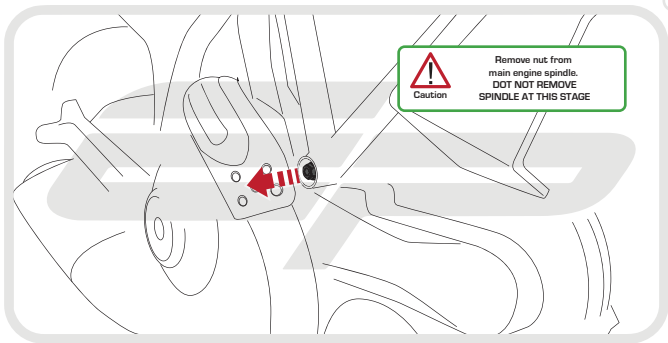
- A** 1 x M12 Spindle
- B** 1 x LH Frame Shim
- C** 2 x Bobbin Heads
- D** 2 x Bobbin Spacers
- E** 2 x M12 Nyloc Nuts
- F** 2 x M12 Washers





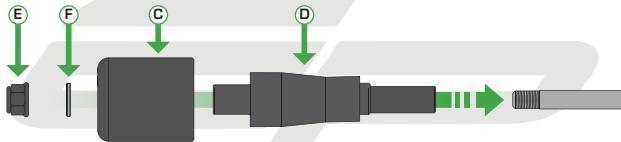
Losen screws in the exhaust shield and slide it back as far as the mounts allow.
Re-tighten the mounting screws ensuring the shield does not move forwards.





Caution

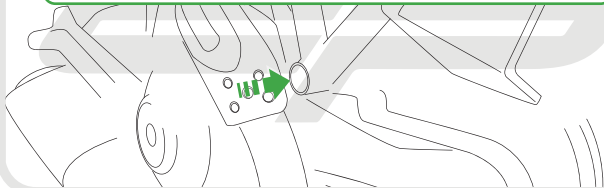
Remove nut from
main engine spindle.
**DOT NOT REMOVE
SPINDLE AT THIS STAGE**

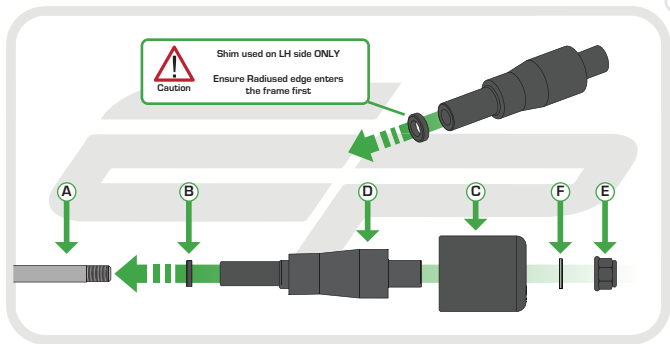




Caution

Slide entire assembly through the frame and engine from the RH Side.
As you slide the new spindle through, push the original spindle out of the LH Side.
DO NOT remove the original spindle without the new one in place or the engine may drop.

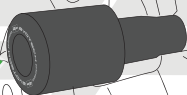






Caution

Max Torque Setting 62(Nm)





 **ESSENTIAL CHECKS** 

It is recommended that periodic inspections are made to ensure that all bolts are tightened to the specified torque settings.

Should the bike be involved in an accident a thorough inspection should be made and any components that have taken an impact, no matter how small, be replaced



EVOTECH®
P E R F O R M A N C E

www.evotech-performance.com