



**EVOTECH**®  
P E R F O R M A N C E

Installation Instructions

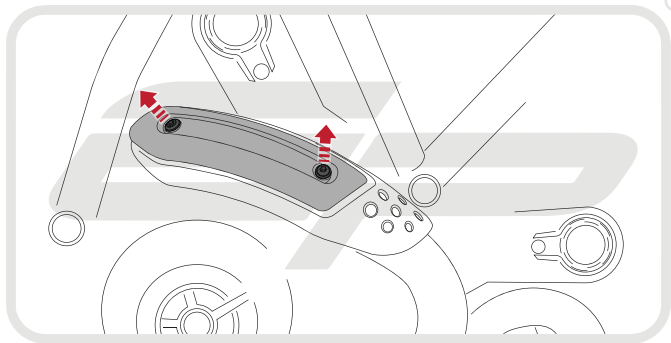
Ducati Scrambler 1100  
Crash Protection

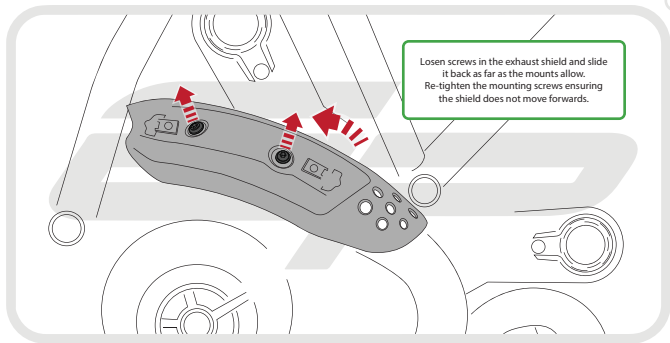


Product Reference - 014009

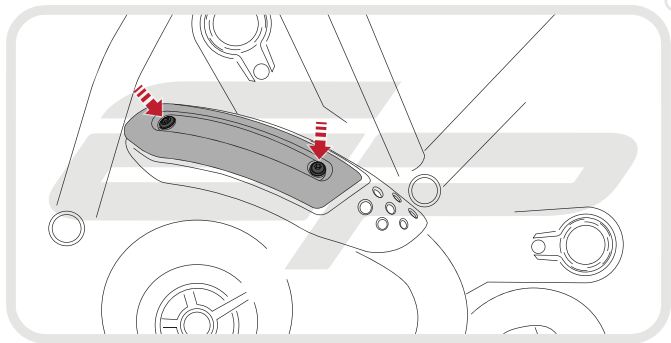
## Kit Contents

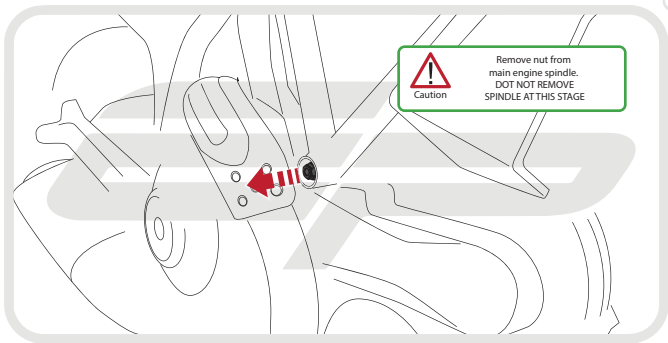
- (A) 1 x Main Shaft
- (B) 1 x R/H Bobbin Spacers With Groove
- (C) 1 x L/H Bobbin Spacers
- (D) 2 x Bobbin Heads
- (E) 2 x M12 Nyloc Nuts
- (F) 2 x M12 Washers
- (G) 2 x Polyurathane Washers





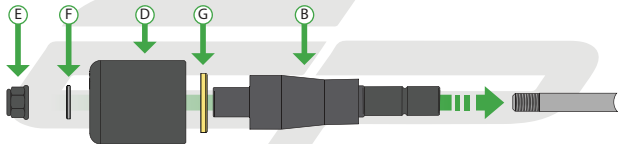
Losen screws in the exhaust shield and slide it back as far as the mounts allow.  
Re-tighten the mounting screws ensuring the shield does not move forwards.





Caution

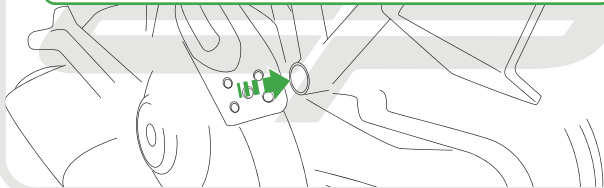
Remove nut from  
main engine spindle.  
DOT NOT REMOVE  
SPINDLE AT THIS STAGE



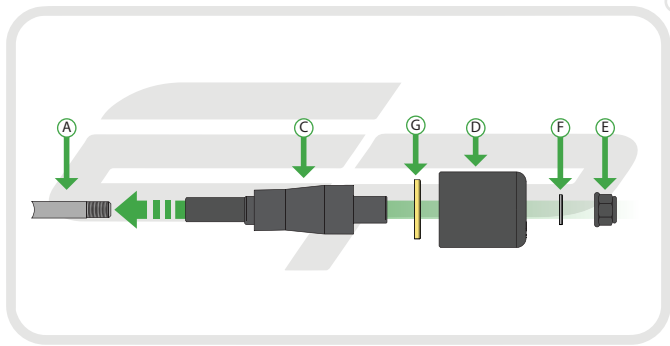


Caution

Slide entire assembly through the frame and engine from the RH Side.  
As you slide the new spindle through, push the original spindle out of the LH Side.  
DO NOT remove the original spindle without the new one in place or the engine may drop.









Caution

Max Torque Setting 62(Nm)





## ESSENTIAL CHECKS

It is recommended that periodic inspections are made to ensure that all bolts are tightened to the specified torque settings.

Should the bike be involved in an accident a thorough inspection should be made and any components that have taken an impact, no matter how small, be replaced



**EVOTECH**®  
P E R F O R M A N C E

[www.evotech-performance.com](http://www.evotech-performance.com)