



**EVOTECH**®  
P E R F O R M A N C E

**Installation Instructions**



## KTM 1290 DUKE 2013 CRASH PROTECTION

Product Reference - 11547

### Kit Contents

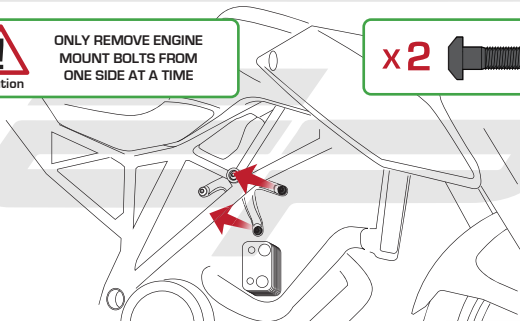
- |  |   |
|--|---|
| <b>A</b> 1 x RH Frame Bracket                    | <b>I</b> 2 x M12 Washers                            |
| <b>B</b> 1 x LH Frame Bracket                    | <b>J</b> 2 x M10 - 75 x 1.5 Cap Head Bolts          |
| <b>C</b> 1 x RH Bobbin Bracket                   | <b>K</b> 2 x M4 - 10 Socket Countersunk Screws      |
| <b>D</b> 1 x LH Bobbin Bracket                   | <b>L</b> 1 x Cable Ties                             |
| <b>E</b> 1 x LH Cable Bracket                    | <b>M</b> 2 x Impact Absorbing Washers               |
| <b>F</b> 2 x Bobbin Heads                        | <b>N</b> 2 x Superduke GT Bobbin Spacers (Shortest) |
| <b>G</b> 2 x Superduke Bobbin Spacers (Shortest) | <b>O</b> 2 x M12 - 170 x 1.25 Bolts                 |
| <b>H</b> 2 x M12 - 150 x 1.25 Bolts              |   |



Caution

ONLY REMOVE ENGINE  
MOUNT BOLTS FROM  
ONE SIDE AT A TIME

x2

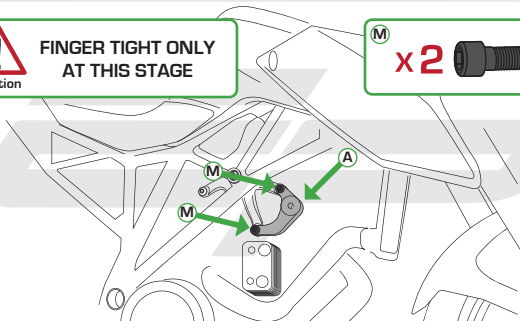




Caution

**FINGER TIGHT ONLY  
AT THIS STAGE**

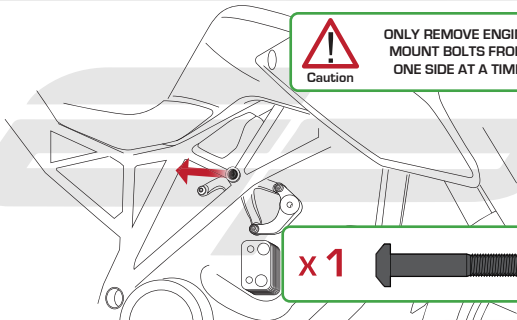
M

**x2**



Caution

ONLY REMOVE ENGINE  
MOUNT BOLTS FROM  
ONE SIDE AT A TIME



x1

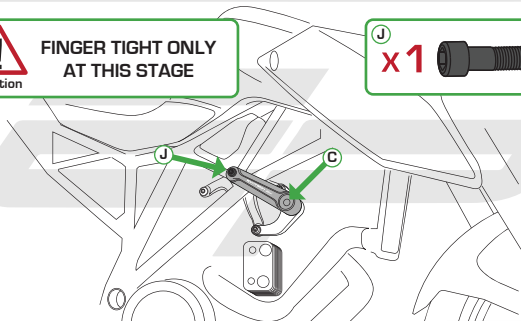




Caution

**FINGER TIGHT ONLY  
AT THIS STAGE**

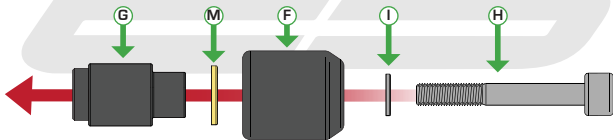
J

**x1**



Caution

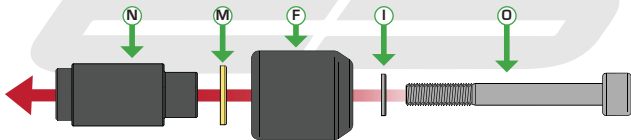
KTM 1290 Superduke ONLY  
for Superduke GT see  
Stage 6





Caution

KTM 1290 Superduke GT ONLY  
for Superduke see  
Stage 5

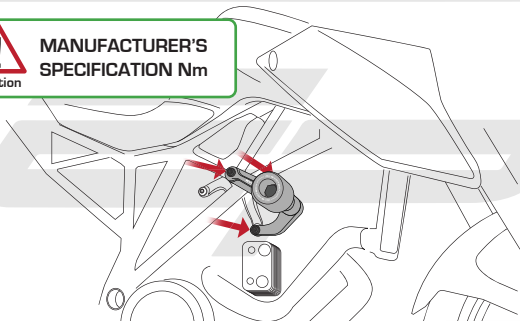






Caution

**MANUFACTURER'S  
SPECIFICATION Nm**



A line drawing of a motorcycle seat and rear frame. A zip tie is shown wrapped around a part of the seat. A red arrow points to the zip tie with the text 'CUT ZIP TIE'.

**CUT ZIP TIE**

**x1**





Caution

ONLY REMOVE ENGINE  
MOUNT BOLTS FROM  
ONE SIDE AT A TIME



x 1





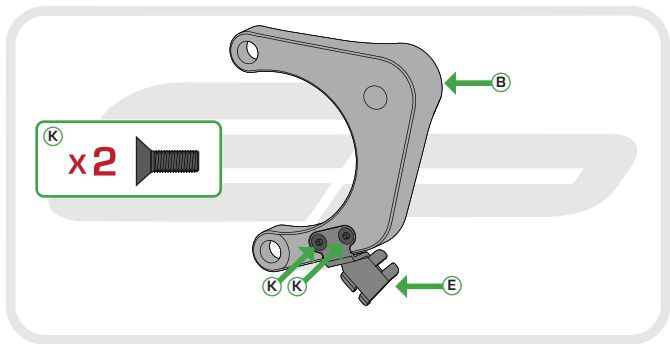
Caution

ONLY REMOVE ENGINE  
MOUNT BOLTS FROM  
ONE SIDE AT A TIME

PULL

x 1





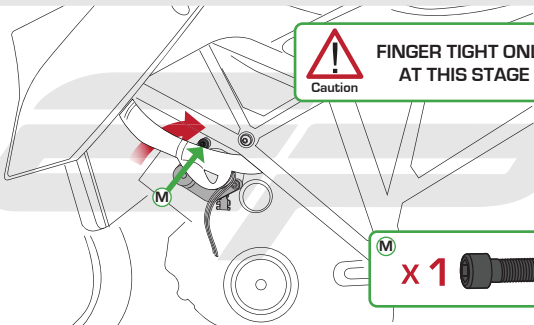


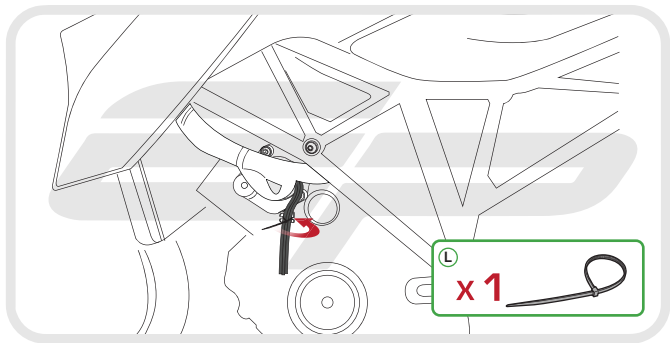
Caution

**FINGER TIGHT ONLY  
AT THIS STAGE****B****M****M****x 1**



Caution

**FINGER TIGHT ONLY  
AT THIS STAGE**







Caution

ONLY REMOVE ENGINE  
MOUNT BOLTS FROM  
ONE SIDE AT A TIME

x 1





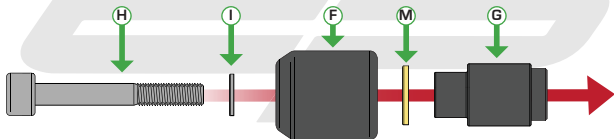
Caution

**FINGER TIGHT ONLY  
AT THIS STAGE****D****J****J****x1**



Caution

KTM 1290 Superduke ONLY  
for Superduke GT see  
Stage 18

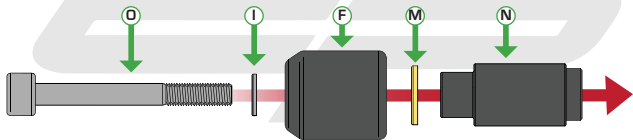


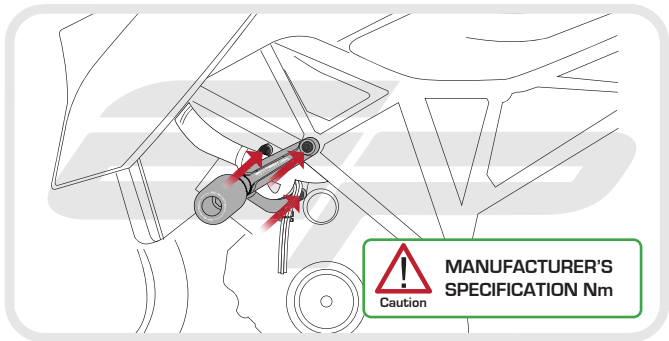
EVOTECH<sup>®</sup>  
P E R F O R M A N C E



Caution

KTM 1290 Superduke GT ONLY  
for Superduke see  
Stage 17







## Maintenance

It is recommended that periodic inspections are made to ensure that all bolts are tightened to the specified torque settings.

Should the bike be involved in an accident a thorough inspection should be made and any components that have taken an impact, no matter how small, be replaced



**EVOTECH**®  
P E R F O R M A N C E

[www.evotech-performance.com](http://www.evotech-performance.com)