



**EVOTECH**®  
P E R F O R M A N C E

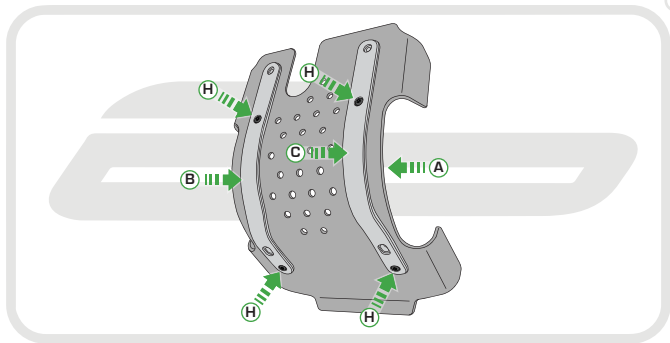
**Installation Instructions**

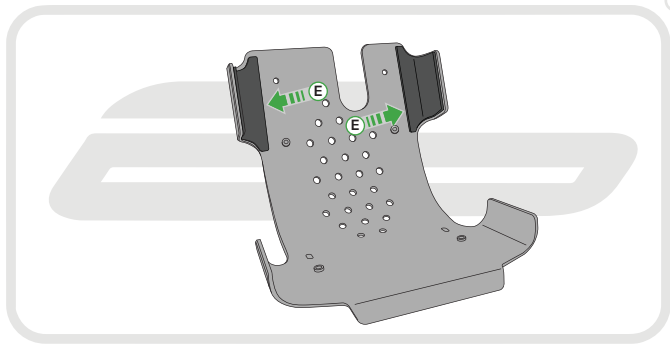
## TRIUMPH BONNEVILLE T120 ENGINE GUARD

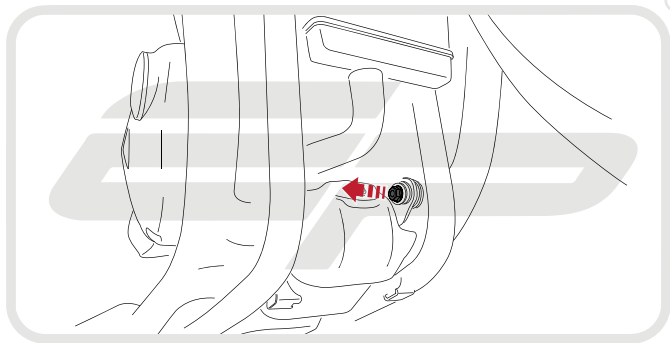
Product Reference - 13336

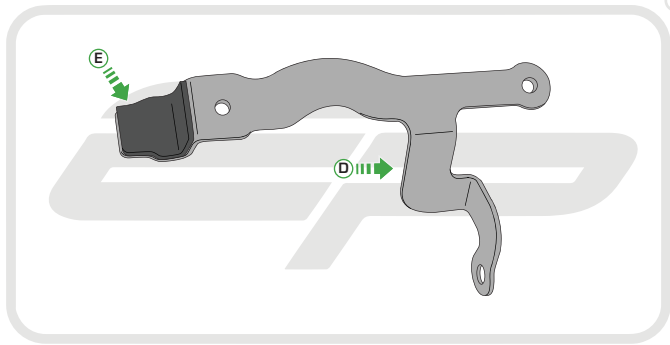
### Kit Contents

- |                               |   |
|-------------------------------|---|
| <b>A</b> 1 x Engine Guard     | <b>E</b> 1 x Neoprene Kit               |
| <b>B</b> 1 x RH Rib           | <b>F</b> 2 x M5 Lug Nuts                |
| <b>C</b> 1 x LH Rib           | <b>G</b> 4 x M5 - 16 Button Head Screws |
| <b>D</b> 1 x Mounting Bracket | <b>H</b> 4 x M5 - 10 Button Head Screws |











Caution

Tuck top RH corner of bracket  
behind the radiator hose and  
around the main frame

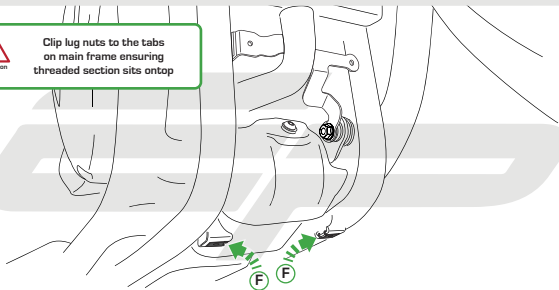
OEM PART



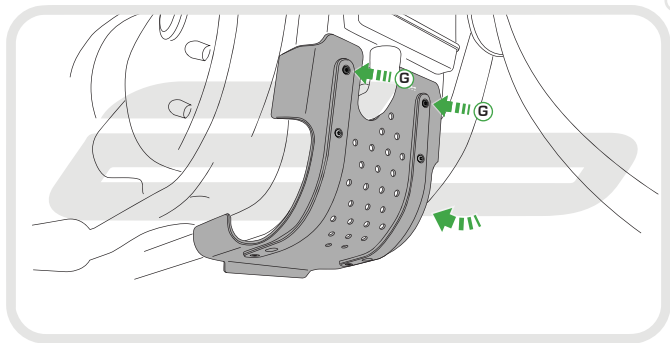


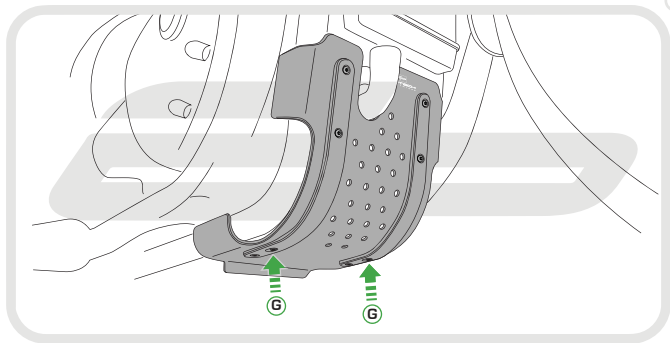
Caution

Clip lug nuts to the tabs  
on main frame ensuring  
threaded section sits on top











**EVOTECH**®  
P E R F O R M A N C E

[www.evotech-performance.com](http://www.evotech-performance.com)