



EVOTECH®
P E R F O R M A N C E

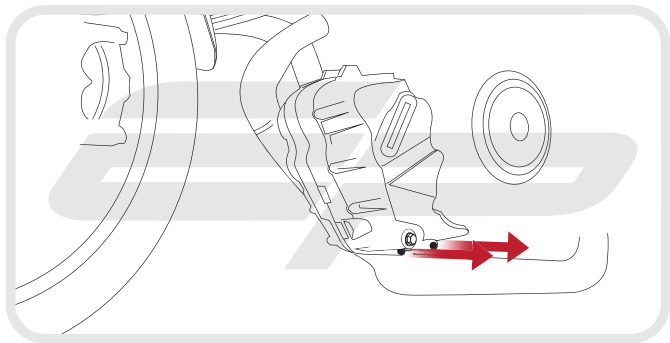
Installation Instructions

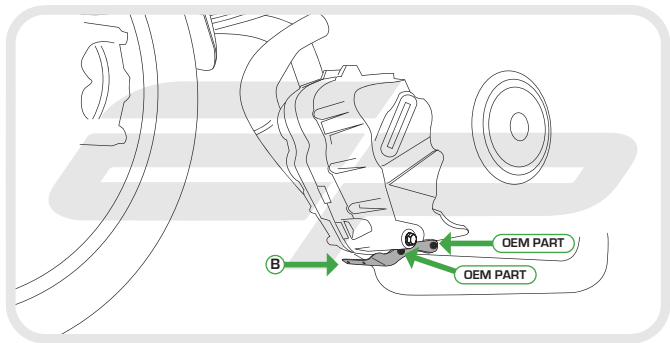
KTM 1290 DUKE 2013 ONWARDS ENGINE GUARD

Product Reference - 12363

Kit Contents

- | | |
|-------------------------------------|-----------------------------------|
| A 1 x Engine Guard | E 1 x M8 Washer |
| B 1 x Lower Mounting Bracket | F 2 x M6 - 12 Button Screw |
| C 1 x Adhesive Rubber Pad | G 2 x M6 Washer |
| D 1 x M8 - 16 Button Screw | |







Caution

ENSURE AREA OF SUMP WHERE
ADHESIVE PAD IS TO BE APPLIED
HAS BEEN CLEANED OF ANY
DIRT OR GREASE

A technical line drawing of a vehicle's engine sump area. A green arrow points from a circular callout containing the letter 'C' to a specific location on the sump. The drawing shows the sump housing, a dipstick, and various mounting points. The entire diagram is enclosed in a rounded rectangular frame.

C

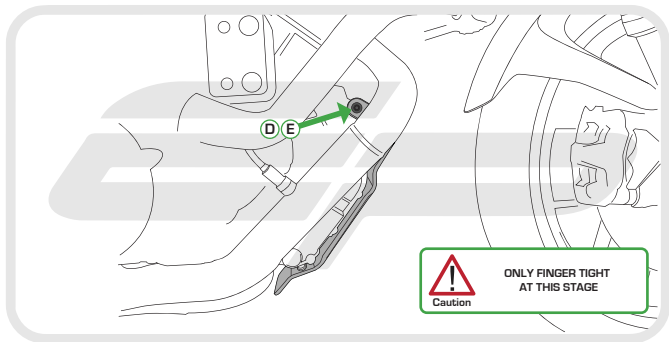


Caution

ONLY FINGER TIGHT
AT THIS STAGE

A

F G F G





Caution

PUSH GUARD BACK UNTIL IN CONTACT WITH ADHESIVE RUBBER PAD AND FULLY TIGHTEN LOWER SCREWS

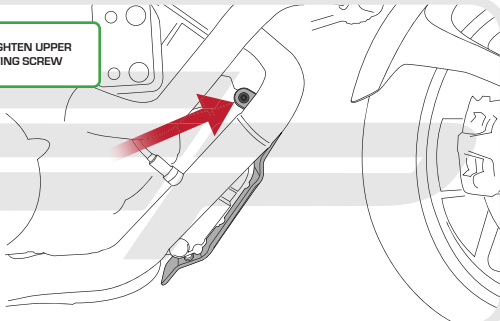
PUSH





Caution

FULLY TIGHTEN UPPER
MOUNTING SCREW





EVOTECH®
P E R F O R M A N C E

www.evotech-performance.com