



EVOTECH®
P E R F O R M A N C E

Installation Instructions

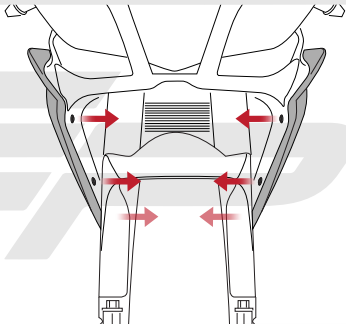
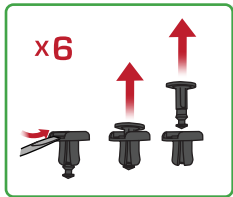


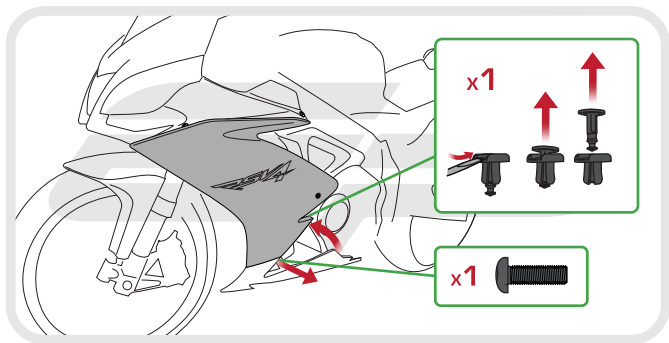
APRILIA RSV4 2009 ONWARDS RADIATOR GUARD

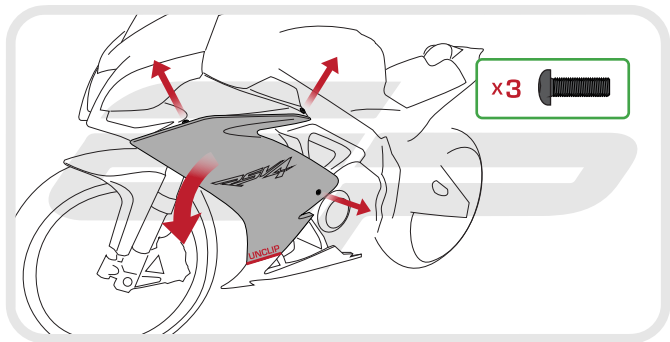
Product Reference - 8163

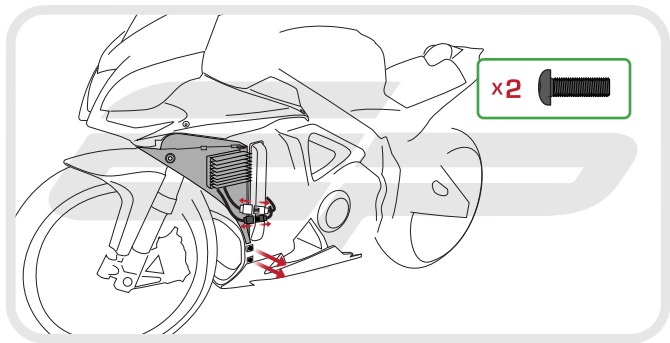
Kit Contents

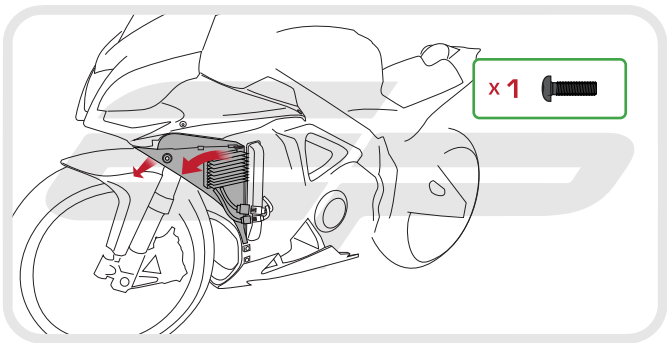
- (A)** 1 x Radiator Guard
- (B)** 1 x Neoprene Foam
- (C)** 2 x Mounting Brackets
- (D)** 2 x M6 - 16 Socket Button Head Screws
- (E)** 2 x M6 Washers
- (F)** 4 x M4 - 10 Socket Button Head Screws

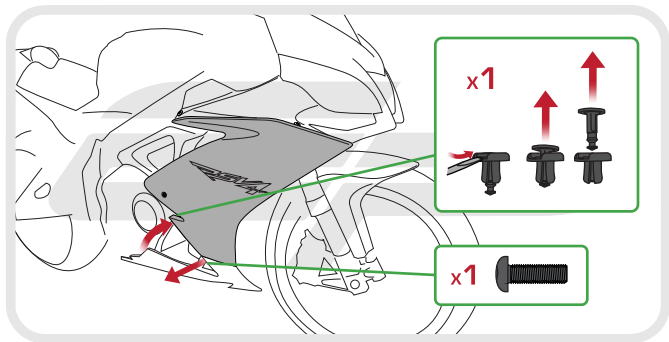


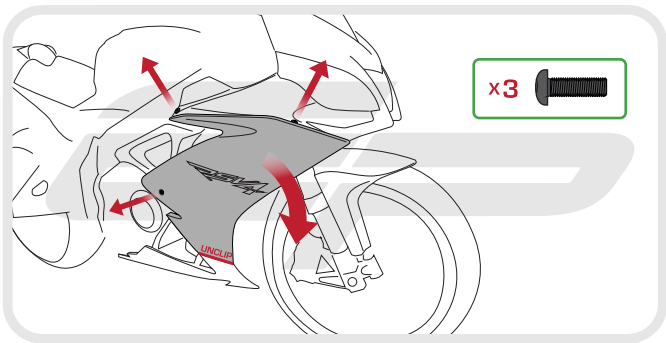


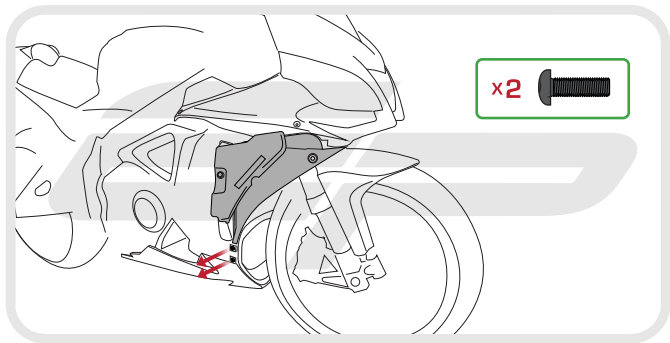


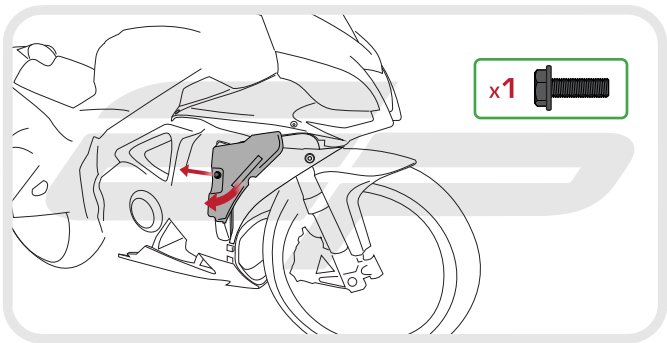




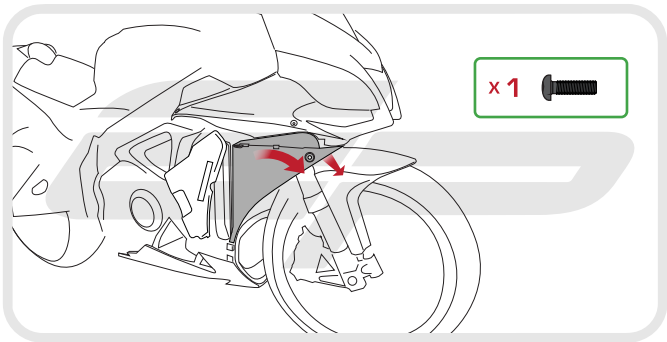


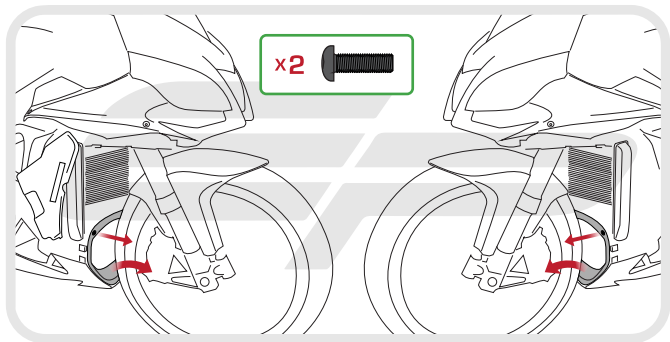






EVOTECH[®]
P E R F O R M A N C E





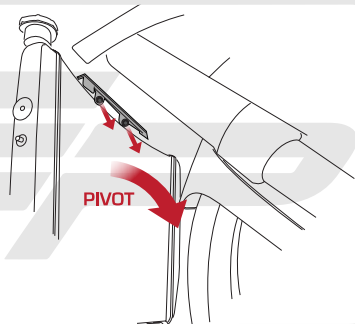


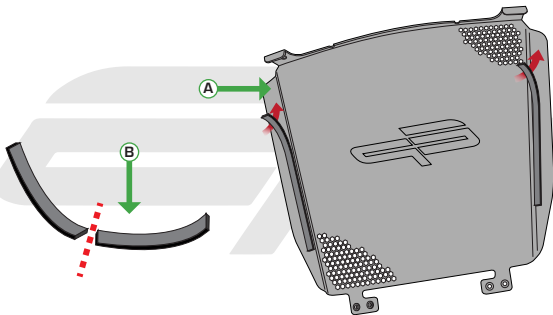
Caution

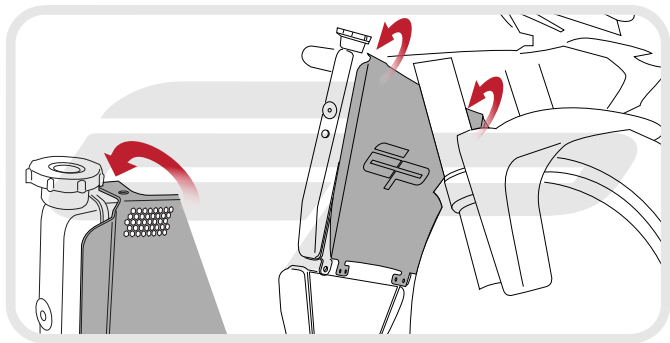
RSV4 APRC VERSION ONLY

FOR ALL OTHER RSV4 MODELS
CONTINUE TO NEXT STAGE

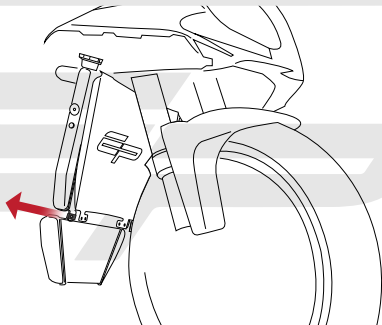
x2

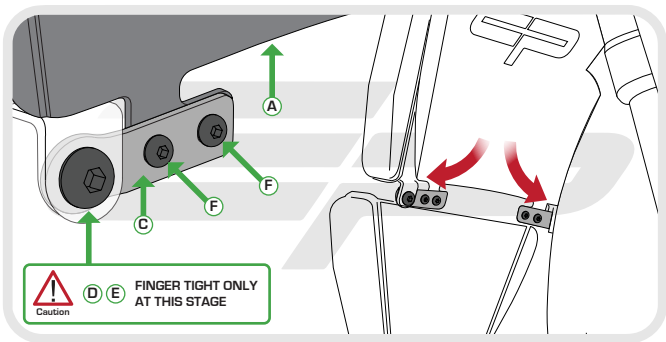


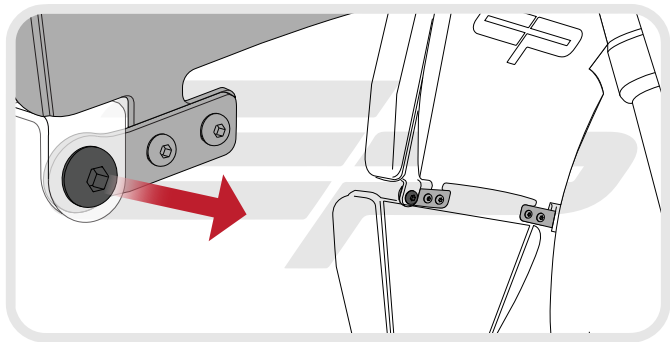




x2







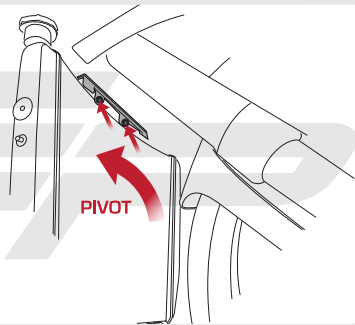


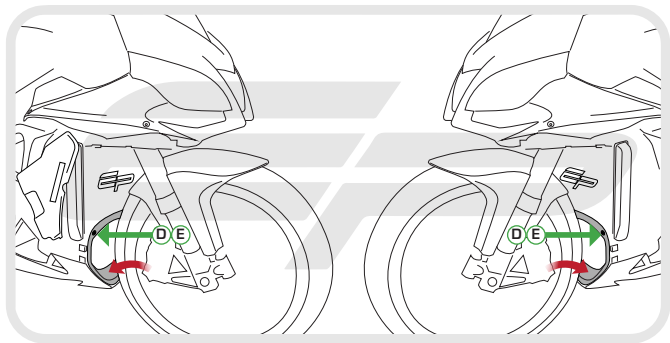
Caution

RSV4 APRC VERSION ONLY

**FOR ALL OTHER RSV4 MODELS
CONTINUE TO NEXT STAGE**

x2







Reverse Stages

10 - 1



Maintenance

It is recommended that periodic inspections are made to ensure that dirt and debris have not become trapped between the guard and the radiator/oil cooler. Such dirt and debris would reduce the cooling efficiency of the radiator/oil cooler



EVOTECH®
P E R F O R M A N C E

www.evotech-performance.com