



**EVOTECH**®  
P E R F O R M A N C E

**Installation Instructions**

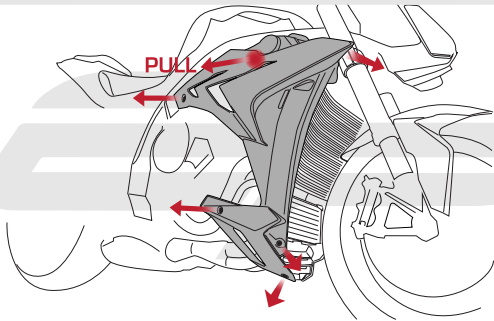


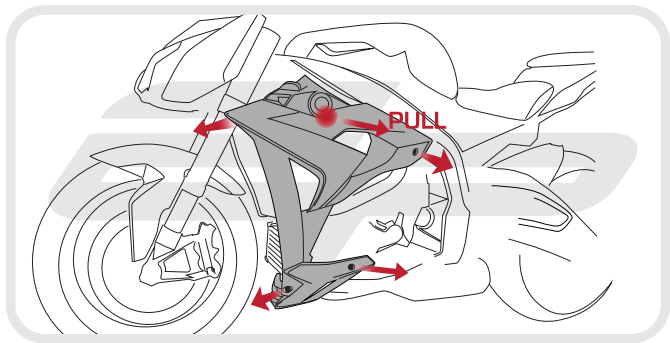
**BMW S1000R 2013  
RADIATOR GUARD**

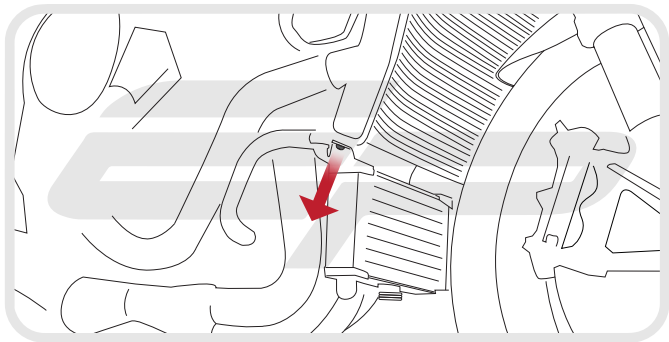
**Product Reference - 10889**

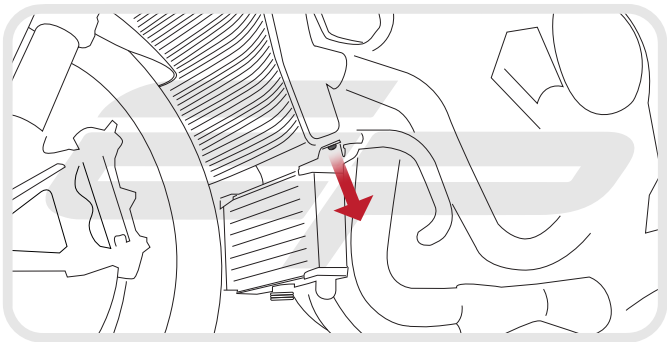
**Kit Contents**

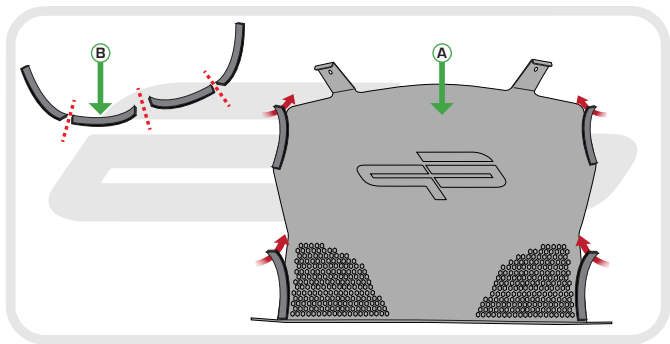
- A** 1 x Radiator Guard
- B** 1 x Neoprene Foam



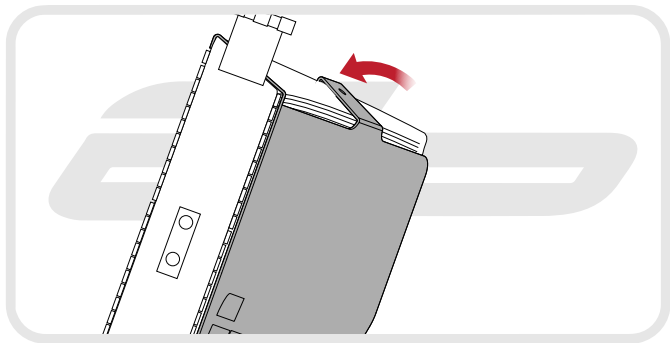




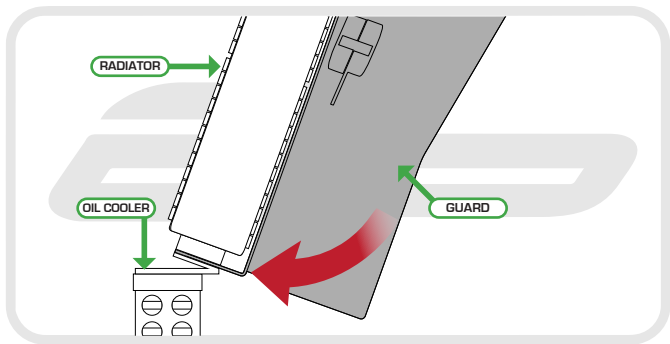


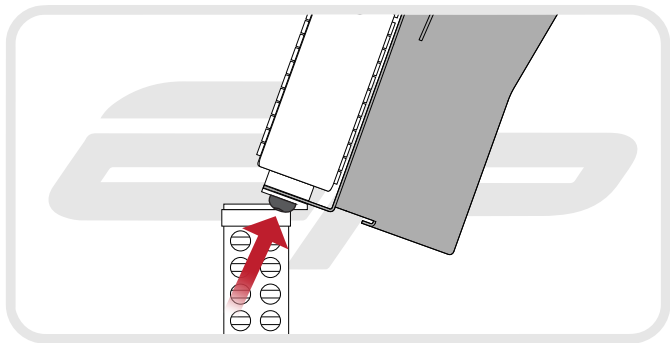


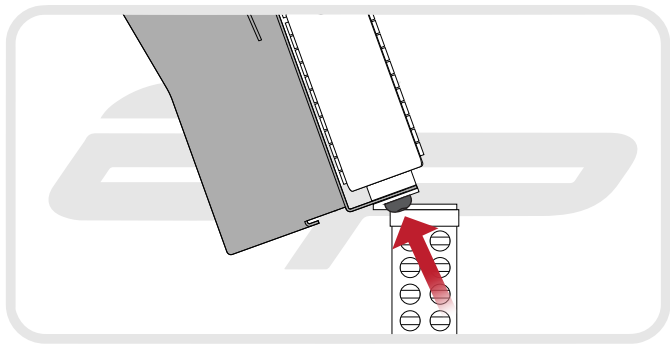
**EVOTECH**<sup>®</sup>  
P E R F O R M A N C E











**EVOTECH**<sup>®</sup>  
P E R F O R M A N C E



Reverse Stages

2 - 1



### Maintenance

It is recommended that periodic inspections are made to ensure that dirt and debris have not become trapped between the guard and the radiator/oil cooler. Such dirt and debris would reduce the cooling efficiency of the radiator/oil cooler



**EVOTECH**®  
P E R F O R M A N C E

[www.evotech-performance.com](http://www.evotech-performance.com)