



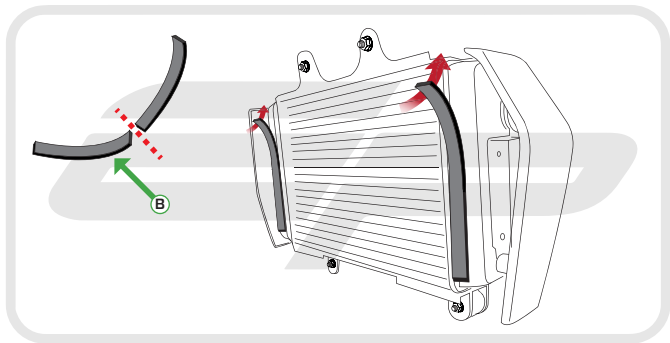
**EVOTECH**®  
P E R F O R M A N C E

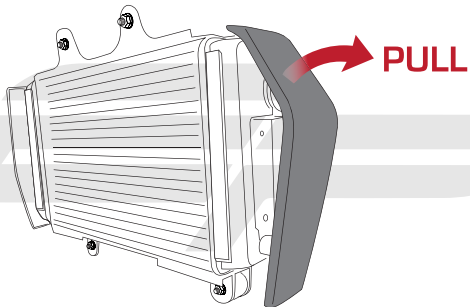
**Installation Instructions**

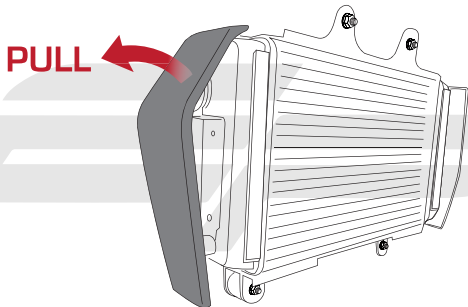
## KTM DUKE 2011 ONWARDS RADIATOR GUARD

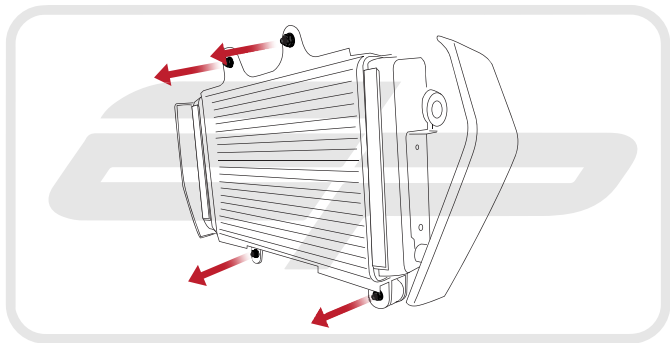
### Kit Contents

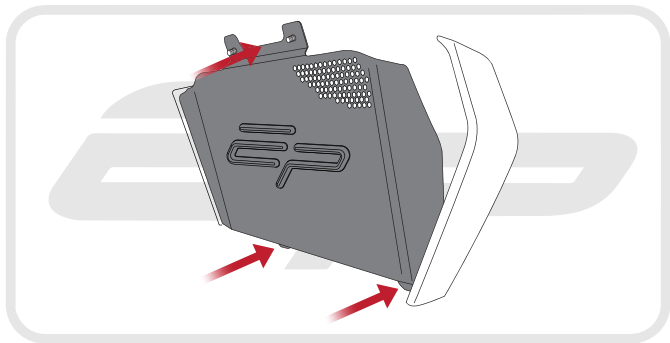
- Ⓐ 1 x Radiator Guard
- Ⓑ 1 x Neoprene Foam



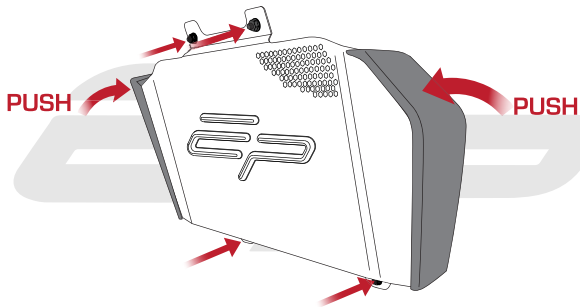








**EVOTECH**<sup>®</sup>  
P E R F O R M A N C E







### Maintenance

It is recommended that periodic inspections are made to ensure that dirt and debris have not become trapped between the guard and the radiator/oil cooler. Such dirt and debris would reduce the cooling efficiency of the radiator/oil cooler



**EVOTECH**®  
P E R F O R M A N C E

[www.evotech-performance.com](http://www.evotech-performance.com)