



EVOTECH®
P E R F O R M A N C E

Installation Instructions

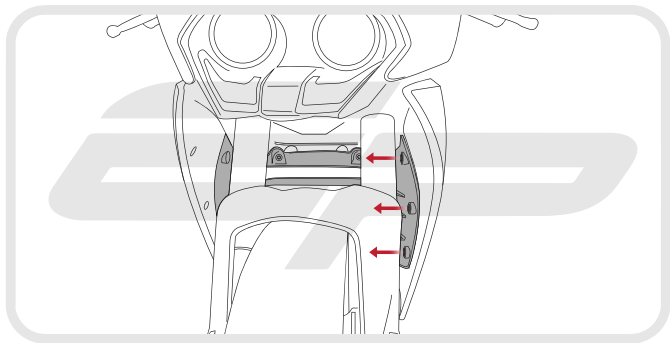


**KTM RC125 2014
RADIATOR GUARD**

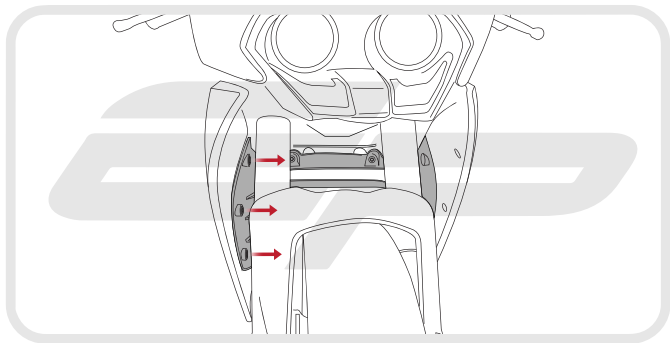
Product Reference - 11965

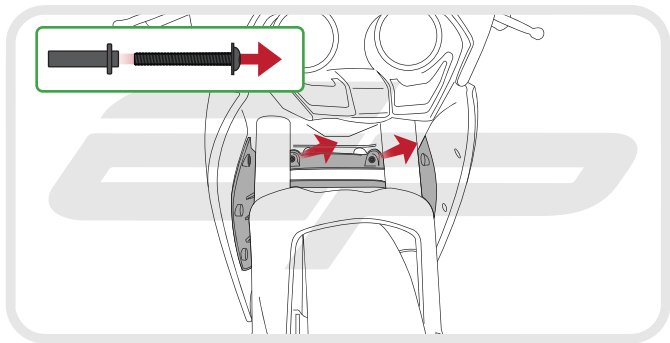
Kit Contents

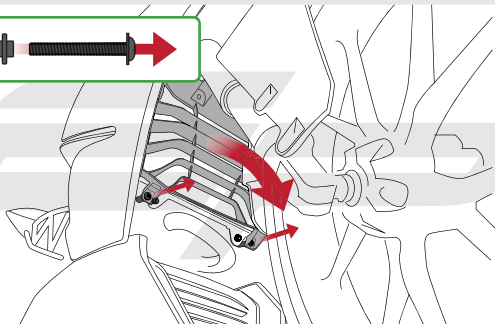
- (A)** 1 x Radiator Guard
- (B)** 1 x Neoprene Foam



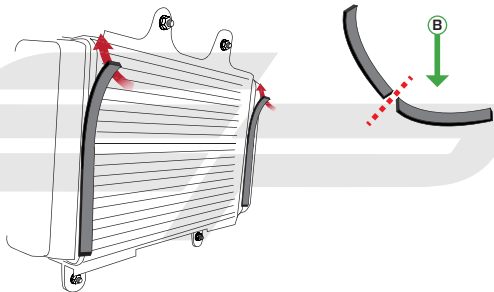
EVOTECH[®]
P E R F O R M A N C E



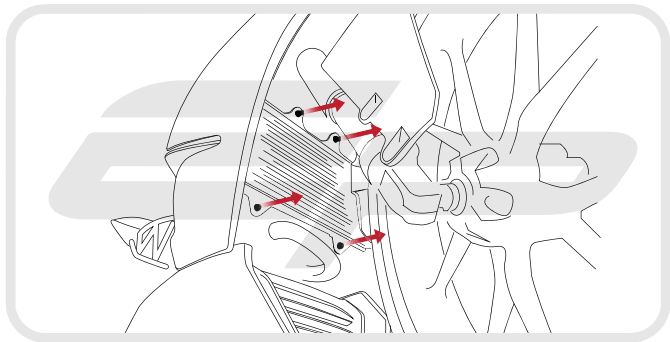




EVOTECH[®]
P E R F O R M A N C E

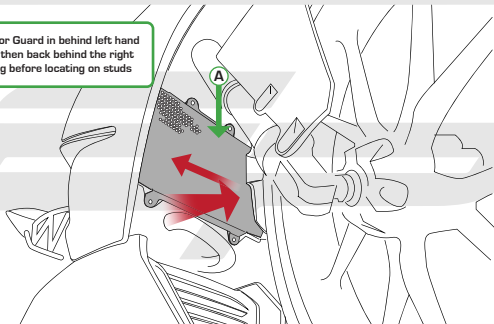


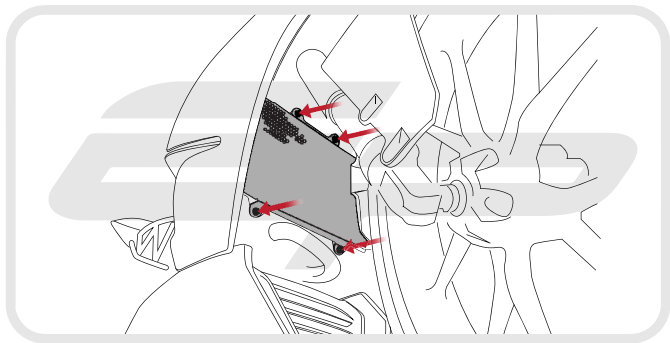
EVOTECH[®]
P E R F O R M A N C E



EVOTECH[®]
P E R F O R M A N C E

Slide Radiator Guard in behind left hand fairing and then back behind the right hand fairing before locating on studs







Reverse Stages
4 - 1



Maintenance

It is recommended that periodic inspections are made to ensure that dirt and debris have not become trapped between the guard and the radiator/oil cooler. Such dirt and debris would reduce the cooling efficiency of the radiator/oil cooler



EVOTECH[®]
P E R F O R M A N C E

www.evotech-performance.com