



**EVOTECH**®  
P E R F O R M A N C E

**Installation Instructions**

## YAMAHA YZF-R3 2015 EXHAUST HEADER GUARD

Product Reference - 12650

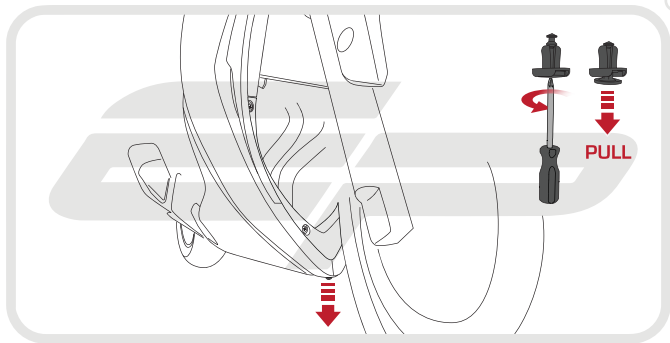
### Kit Contents

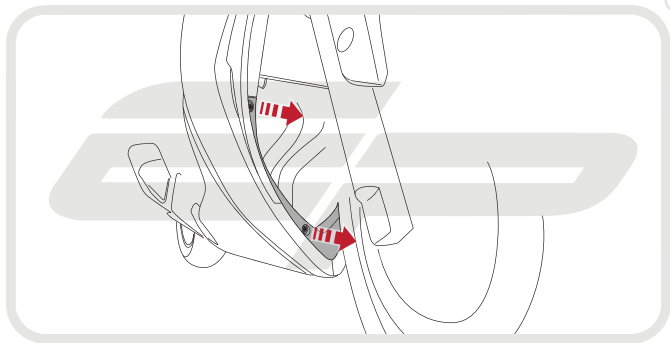
- Ⓐ 1 x Exhaust Header Guard
- Ⓑ 2 x Rubber Grommets

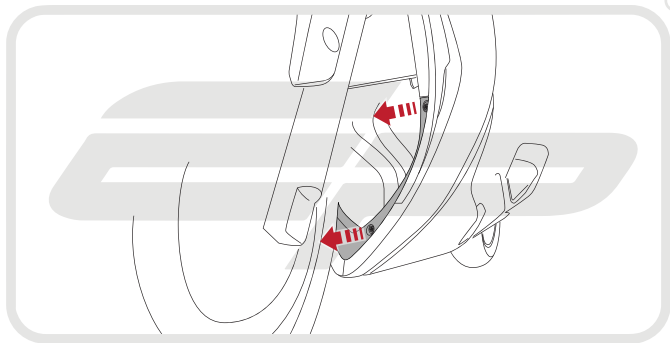


Caution

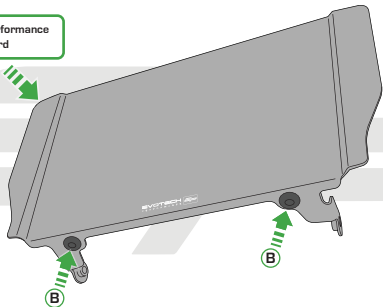
In order to fit this guard you must have already installed  
the Evotech Performance radiator guard



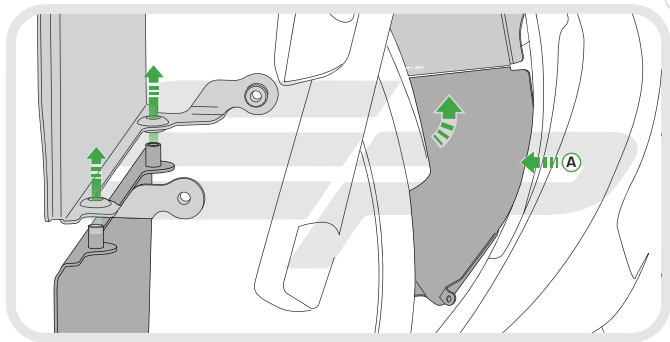


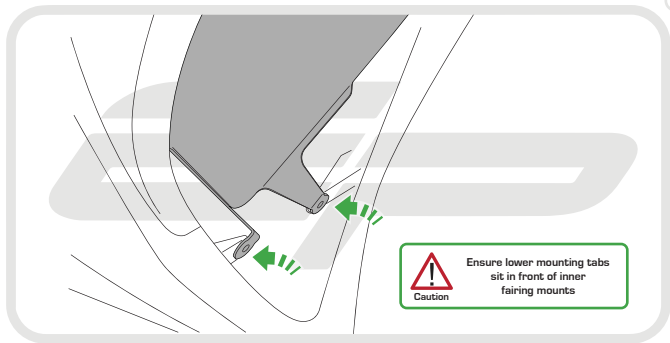


Existing Evotech Performance  
Radiator Guard



**EVOTECH**<sup>®</sup>  
P E R F O R M A N C E









Reverse Stages

3 - 1

### ESSENTIAL CHECKS

It is recommended that periodic inspections are made to ensure that dirt and debris have not become trapped between the guard and the radiator/oil cooler. Such dirt and debris would reduce the cooling efficiency of the radiator/oil cooler.

It is recommended that periodic inspections are made to ensure that all fixings are fully tightened.



**EVOTECH**®  
P E R F O R M A N C E

[www.evotech-performance.com](http://www.evotech-performance.com)