

MOTOPLASTIC, S.A.

Molí de la sal, 1 - 08400 Granollers (Barcelona) SPAIN

Tel. 34 93 849 06 33 - Fax 34 93 849 09 88

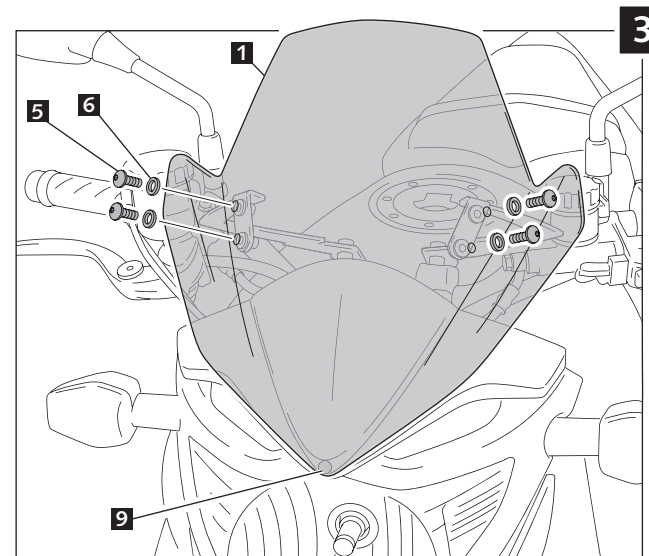
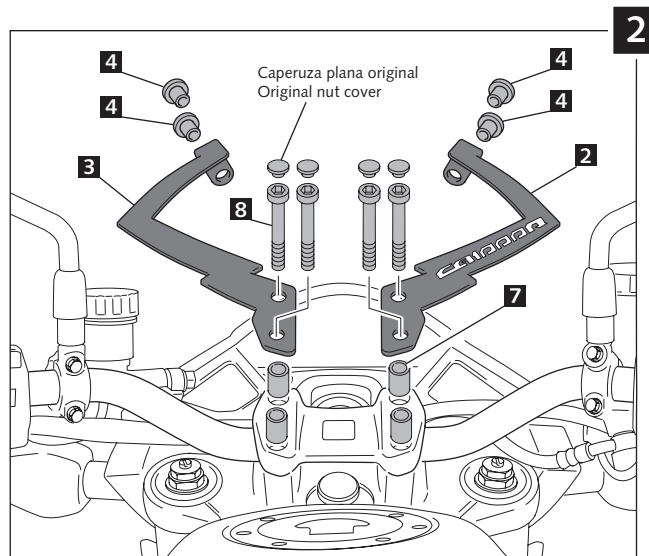
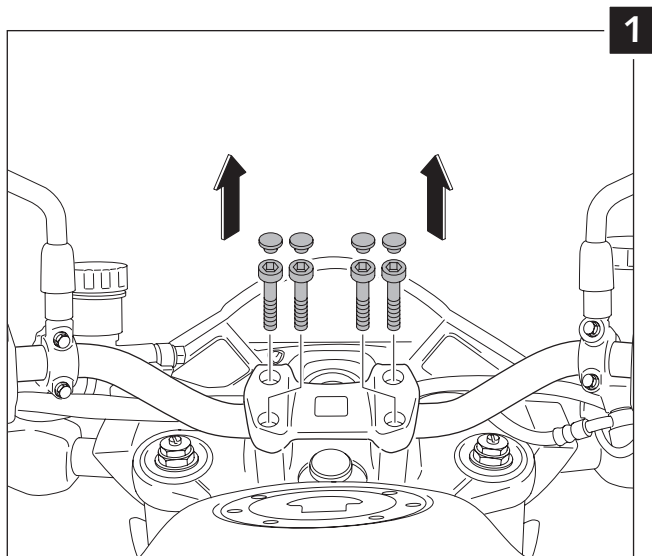
info@motoplastic.com









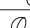
www.puig.tv

INSTRUCCIONES DE MONTAJE - MOUNTING INSTRUCTIONS

CARENABRÍS ADAPTABLE A - WINDSHIELD ADAPTABLE TO HONDA CB1000R 08'-10'

Ref.: 4673



ID.	DESCRIPCIÓN	DESCRIPTION	QTY.
1	 Pantalla	Screen	1
2	 Soporte metálico derecho	Right metal support	1
3	 Soporte metálico izquierdo	Left metal support	1
4	 Silemblock M5 (se suministra montado en la pieza nº2-3)	M5 well nut (supplied already mounted on the piece nº2-3)	4
5	 Tornillo Allen M5x16 ISO 7380	M5x16 ISO 7380 allen screw	4
6	 Arandela nylon Ø5XØ11x1	Ø5XØ11x1 nylon washer	4
7	 Casquillo Ø ext.14 x Ø int. 8,5x18	Arrowhead Ø outer14 x Ø inner 8,5x18	4
8	 Tornillo Allen M8x50 DIN 912	M8x50 DIN 912 allen screw	4
9	 Separador de silicona Ø12,7x3,5	Ø12,7x3,5 silicone delimeter	1