



**EVOTECH**®  
P E R F O R M A N C E

**Installation Instructions**

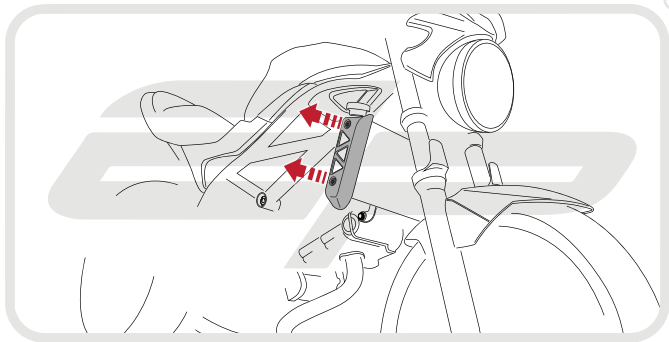


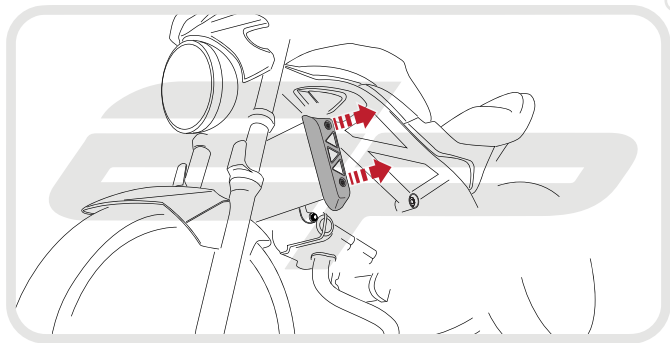
**SUZUKI SV650 2016  
RADIATOR GUARD**

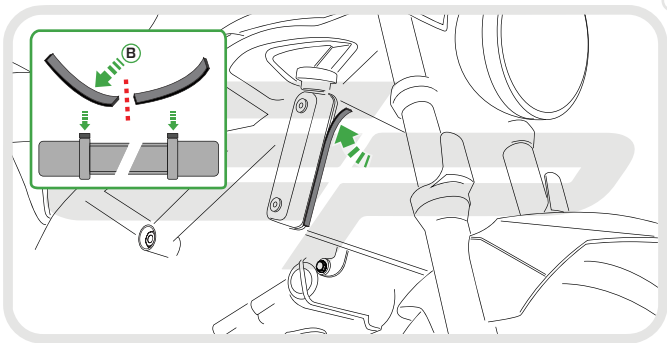
**Product Reference - 13169**

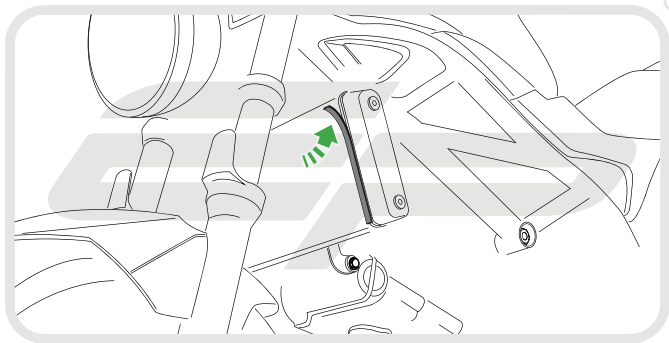
**Kit Contents**

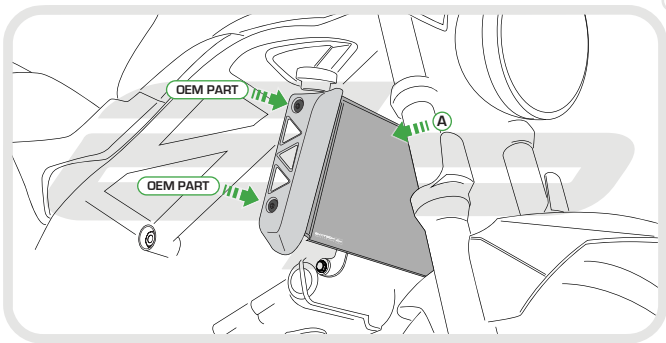
- (A)** 1 x Radiator Guard
- (B)** 1 x Neoprene Foam

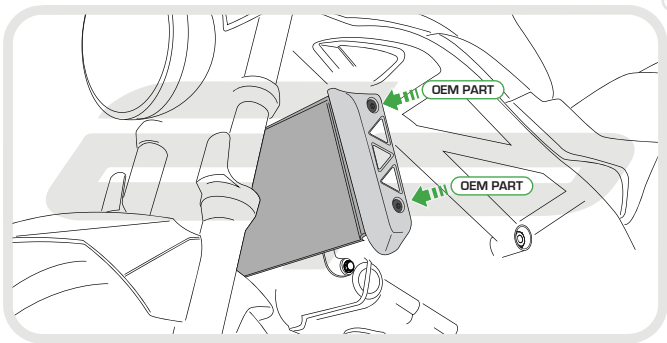
















### ESSENTIAL CHECKS



It is recommended that periodic inspections are made to ensure that dirt and debris have not become trapped between the guard and the radiator/oil cooler. Such dirt and debris would reduce the cooling efficiency of the radiator/oil cooler.

It is recommended that periodic inspections are made to ensure that all fixings are fully tightened.



**EVOTECH**®  
P E R F O R M A N C E

[www.evotech-performance.com](http://www.evotech-performance.com)