



EVOTECH®
P E R F O R M A N C E

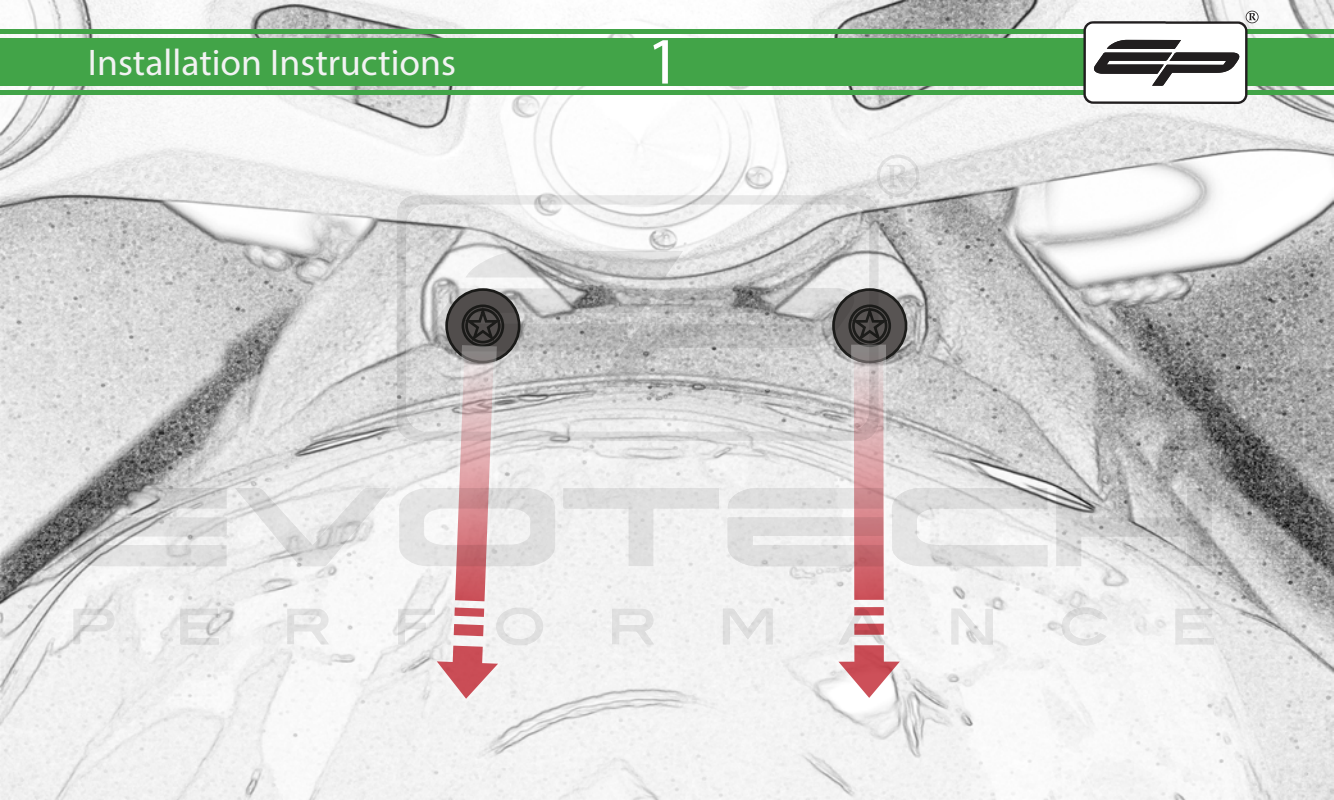
www.evotech-performance.com

Triumph Speed Triple RR
Garmin Sat Nav Mount



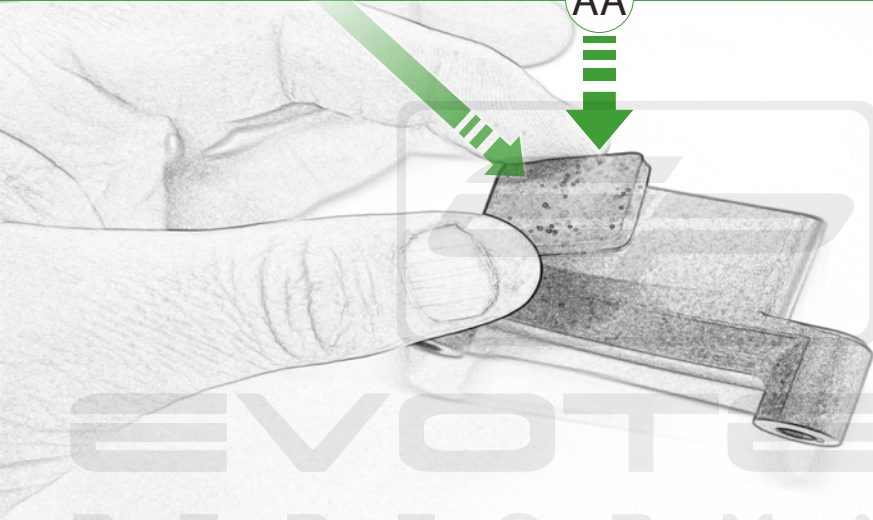
- Ⓐ 1 x Main Plate
 - Ⓑ 1 x Pivot Plate
 - Ⓒ 1 x Sub Mounting Bracket
 - Ⓓ 2 x M5 x 8mm Black Button Head Bolts
 - Ⓔ 2 x P-clips (No.1)
 - Ⓕ 2 x P-clips (No.2)
 - Ⓖ 2 x P-clips (No.3)
 - Ⓗ 2 x P-clips (No.4)
 - Ⓘ 2 x Lobe Screw
 - Ⓙ 2 x M5 Black Washer
 - Ⓚ 2 x Locking Washer
 - Ⓛ 2 x M4 x 5mm Black Button Head Bolts
 - Ⓜ 4 x M4 x 10mm Black Button Head Bolts
- Sub Kit
- ⒶⒶ 1 x Pad
 - ⒷⒷ 2 x M6 x 35 Cap Head
 - ⒸⒸ 2 x M6 x 12mm Black Button Head

P E R F O R M A N C E

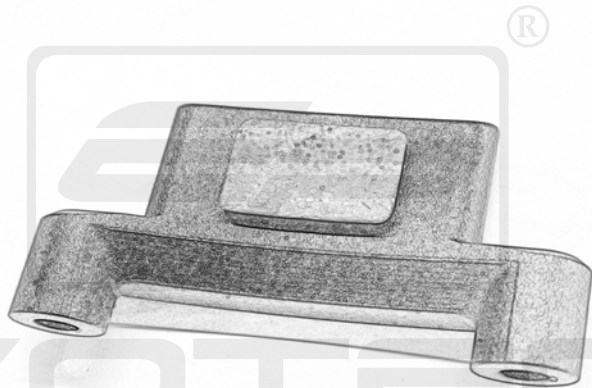




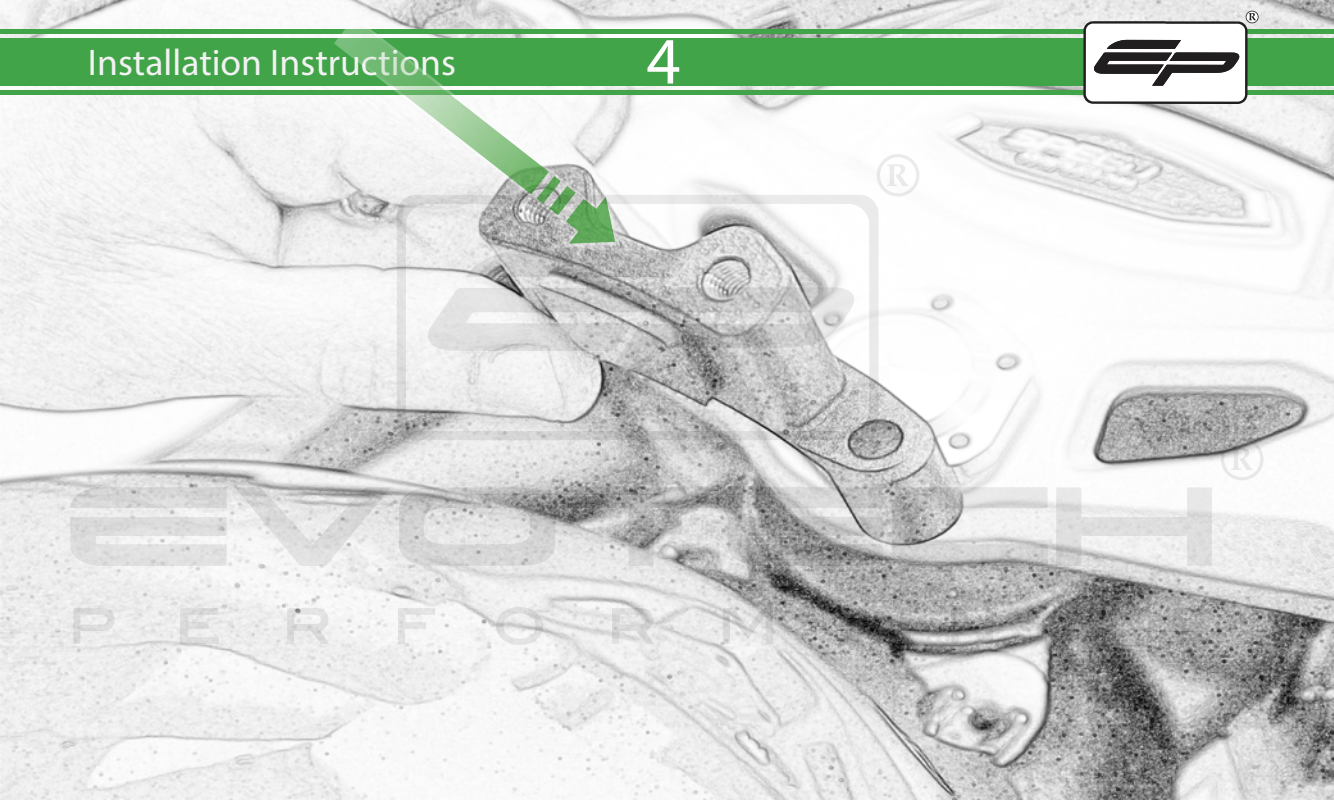
AA 2

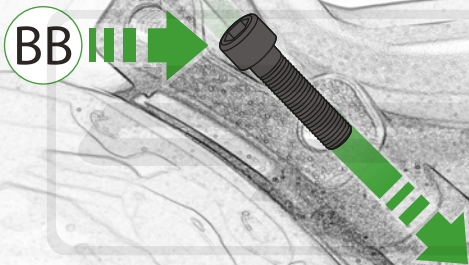


EVOTEK[®]
PERFORMANCE[®]



EVOTECH[®]
P E R F O R M A N C E[®]





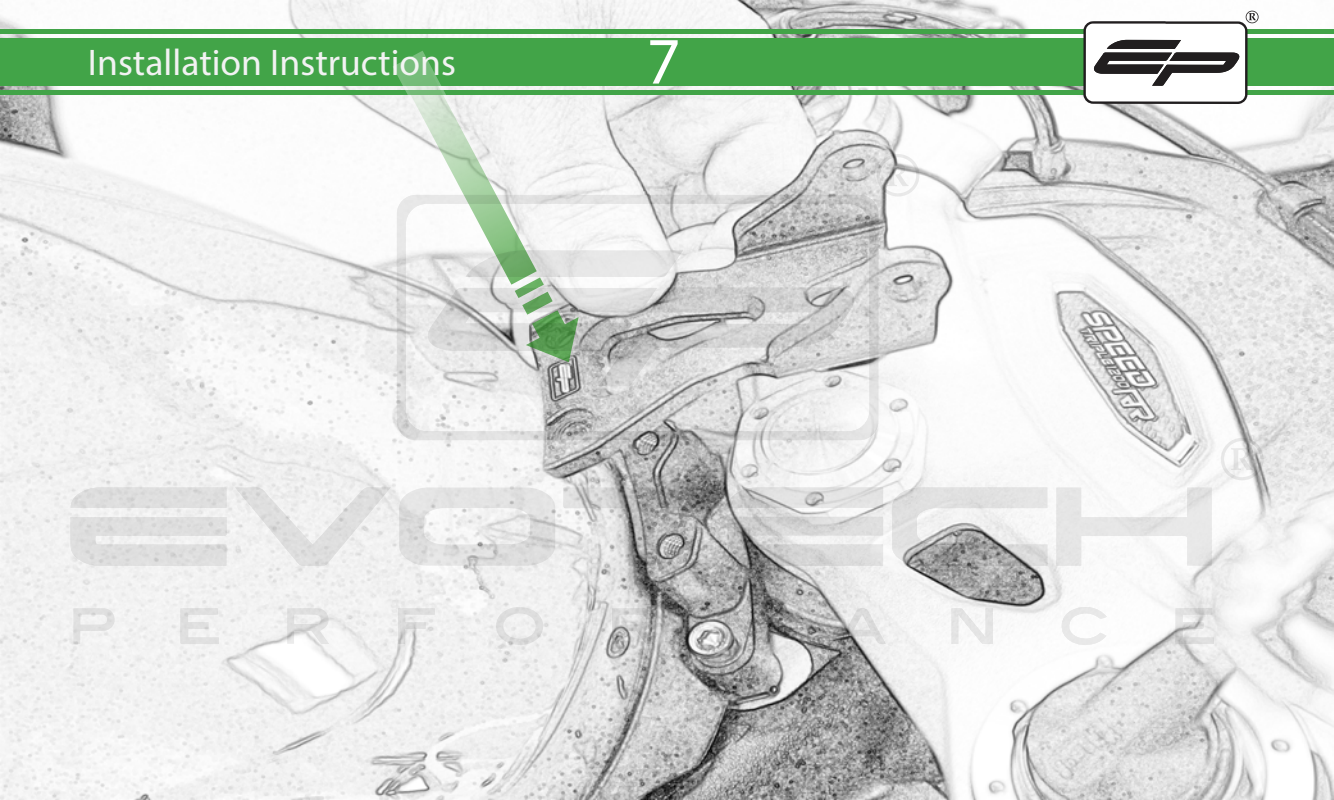
EVOT
P E R F O R M A N C E

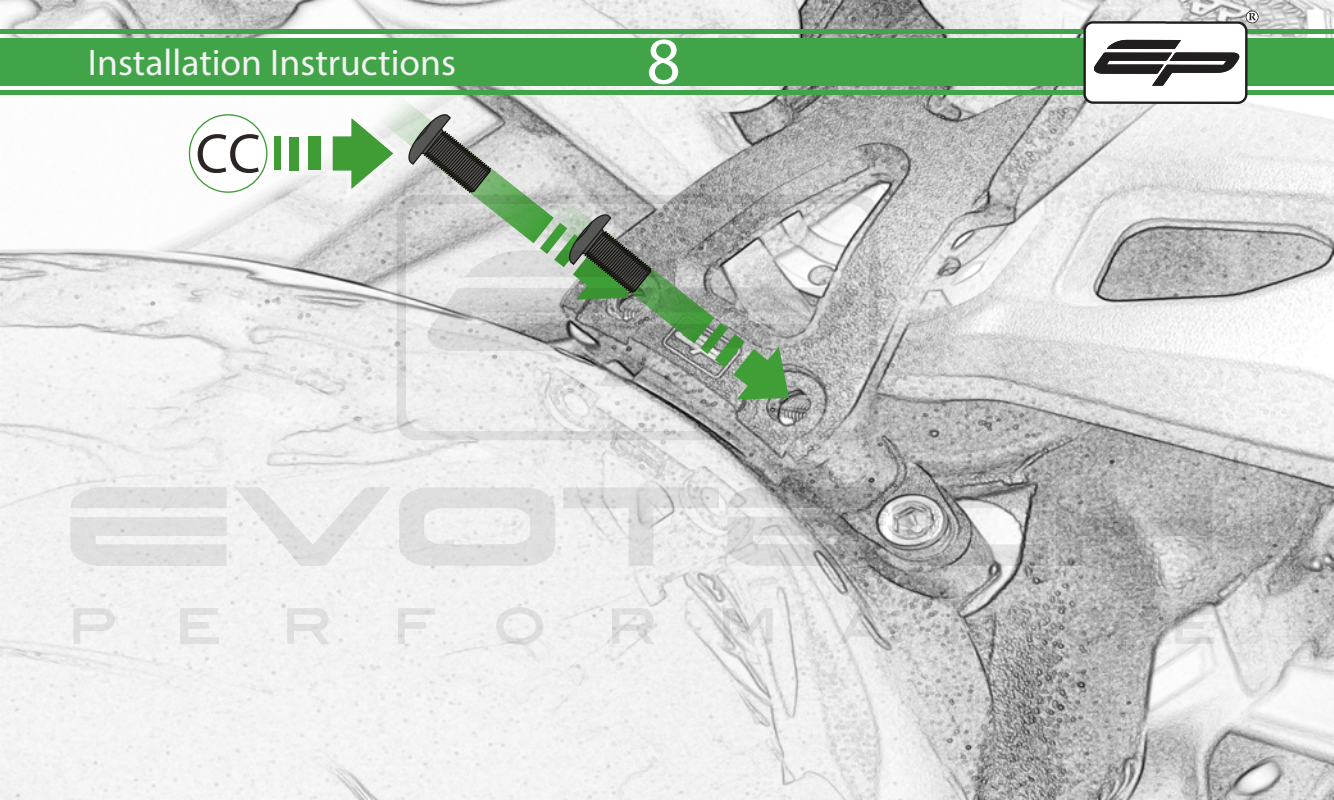


BB 

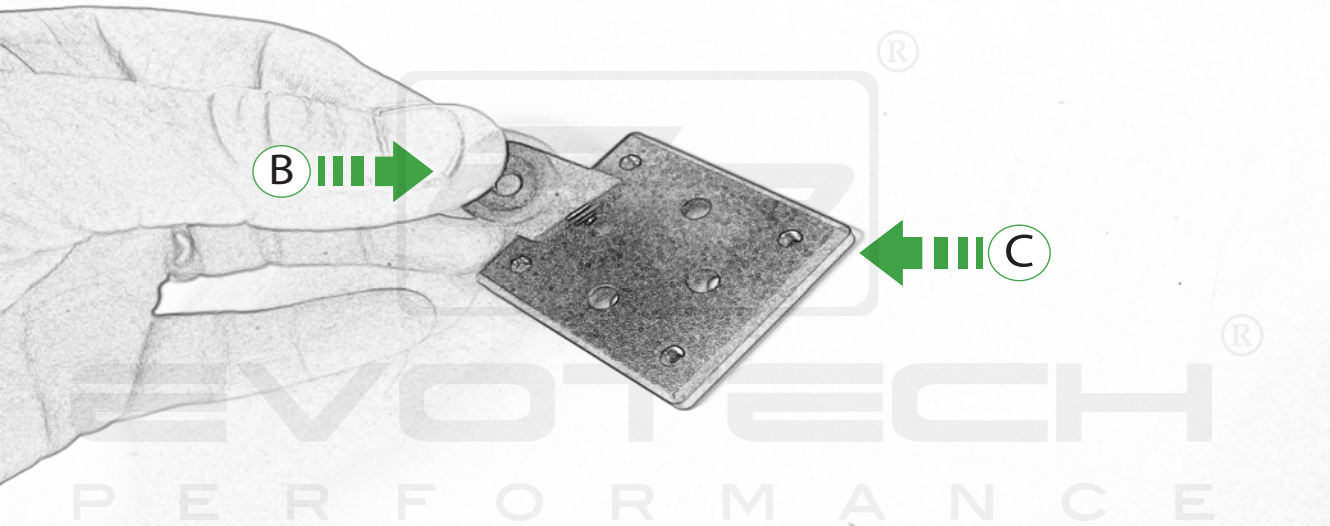


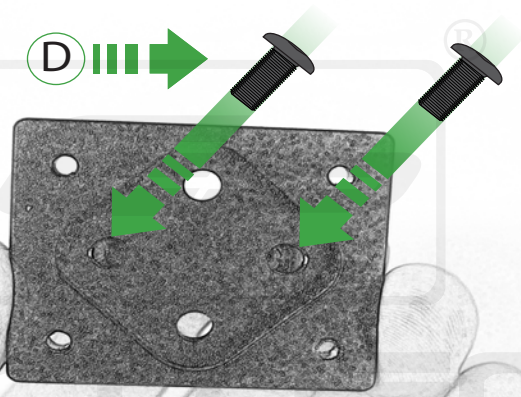
EVO TECH
PERFORMANCE





EVOT
PERFORMANCE

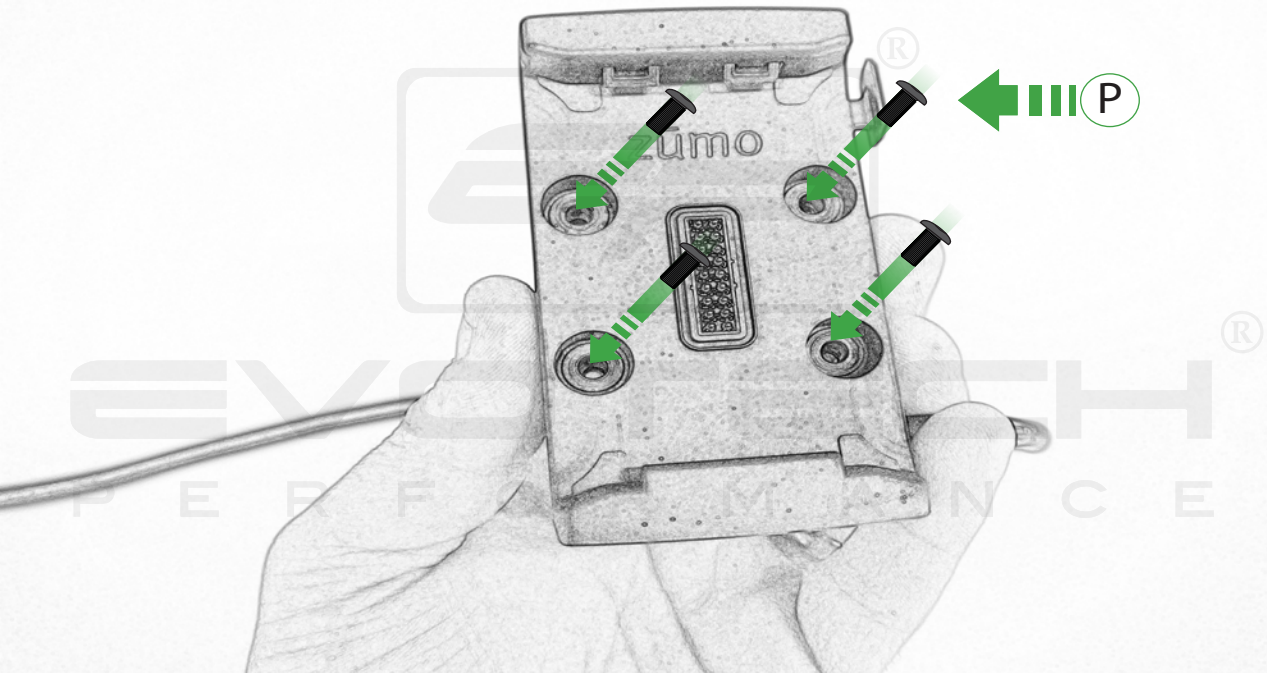




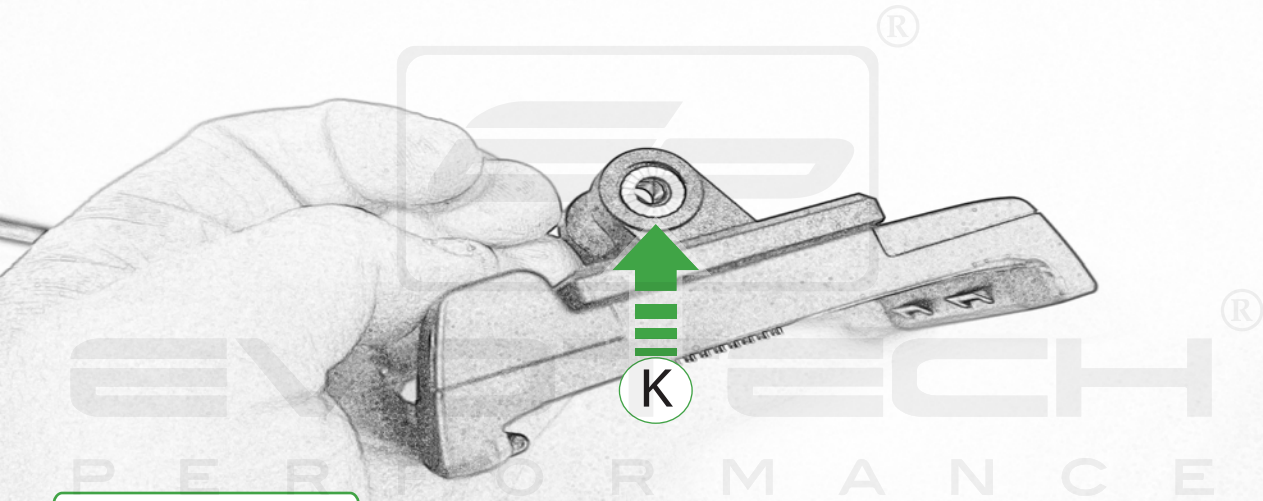
EVOLVOCH[®]
P E R F O R M A N C E



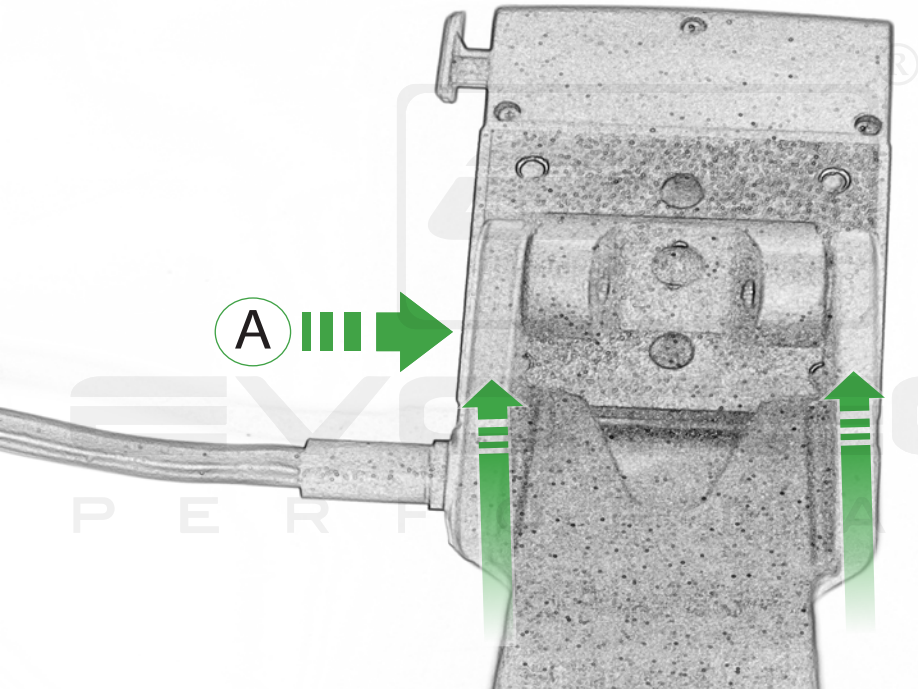
EVERTECH[®]
PERFORMANCE





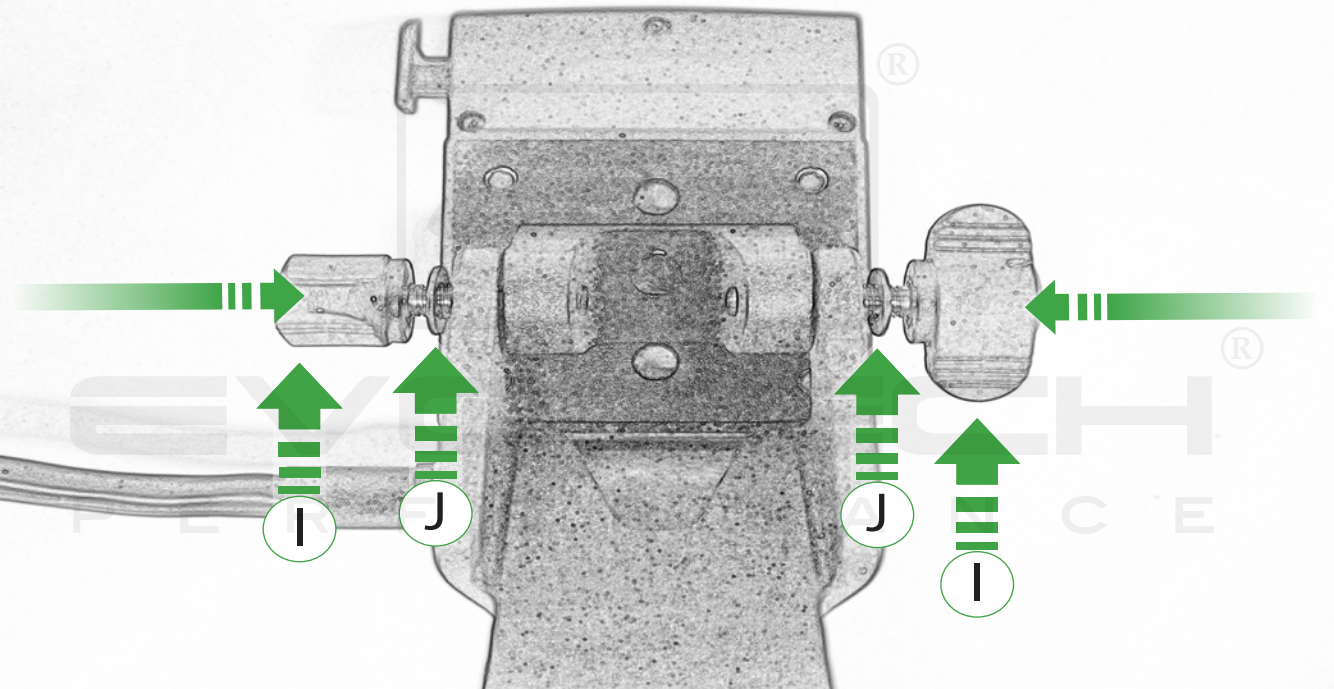


Repeat
Both Sides



A







ESSENTIAL CHECKS



It is recommended that periodic inspections are made to ensure that all bolts are tightened to the specified torque settings.

Should the bike be involved in an accident a thorough inspection should be made and any components that have taken an impact, no matter how small, be replaced



EVOTECH®
P E R F O R M A N C E

www.evotech-performance.com