

Engine guard

KAWASAKI KLR 650
US-Model from 2008

Item-No.: 502.206 black

Side cases
Top cases
luggage frames
Lock it system
Softbags
Aluminium luggage
Leather luggage
Protection bars
Center stands
Chopper parts
Accessories



Assembling instructions

The kit includes the following parts:

Quant	item no.	description
1	700007656	Engine guard left
1	700007657	Engine guard right
2	151.163	allen screws M10x70x1,25
4	150.867	allen screws M8x40
2	151.206	hexagon bolts M8x100
2	151.231	steel spacer Ø18xØ11x35mm
8	150.818	alu spacer Ø18xØ9x7mm
2	150.800	self lock nut M8
8	150.810	washers Ø8,4
2	150.811	washers Ø10,4

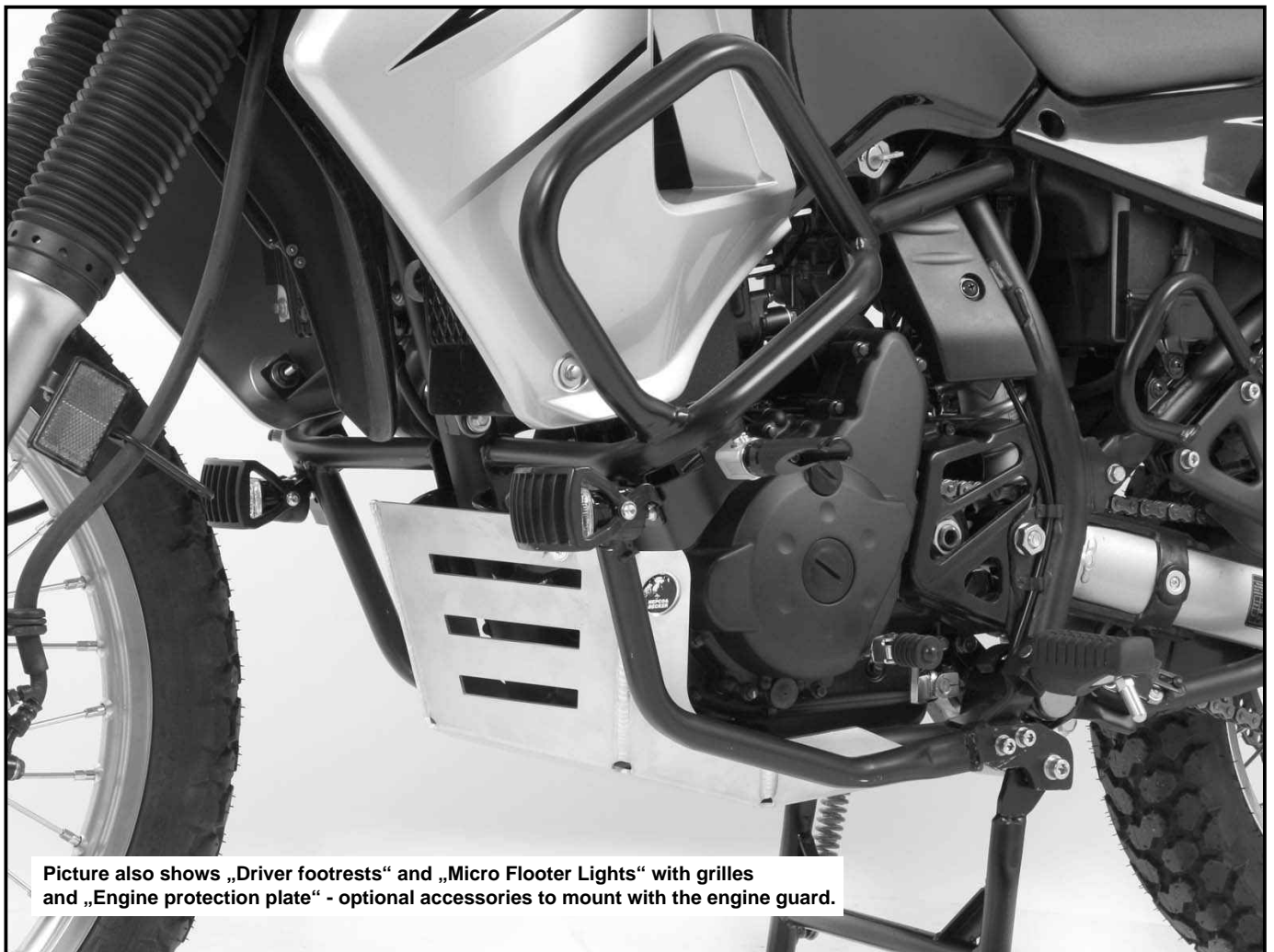
Tip:

Fit all parts and screw on not too strong.
After mounting all parts, the screws should be tightened to the torque specified.
This guarantees, that the kit is mounted without tension.

Preparing:

Side cover: loose the screws. Dismantle seat.
Loose the tank attachment and lift the tank to reach the frame bolting (support tank by a suitable object).
Dismantle original plastic engine protection plate.

**Mount only one side at the time
- not both at the same time.**



Picture also shows „Driver footrests“ and „Micro Flooter Lights“ with grilles and „Engine protection plate“ - optional accessories to mount with the engine guard.

Engine guard

KAWASAKI KLR 650

US-Model from 2008

Item-No.: 502.206 black

Side cases

Top cases

luggage frames

Lock it system

Softbags

Aluminium luggage

Leather luggage

Protection bars

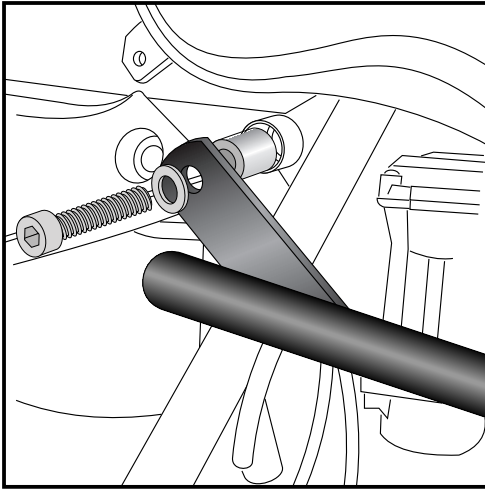
Center stands

Chopper parts

Accessories



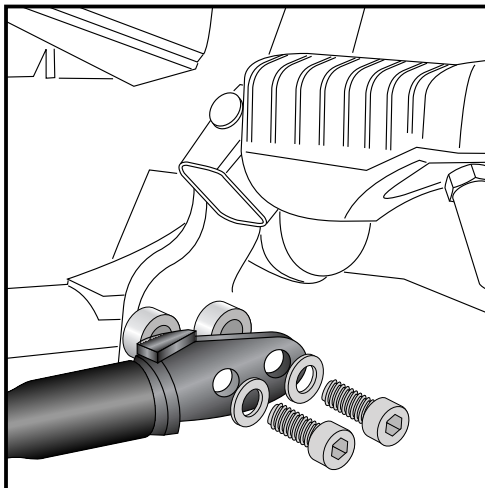
Assembling instructions



1

Fastening of the engine guard top left + right:

under the tank at the frame bolting with allen screws M10 x 70 x 1,25 and washers Ø10,5.
Stuck steel spacers Ø 18xØ11x35mm in the opening.

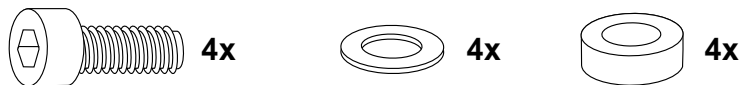


2

Fastening of the engine guard bottom left + right:

at the footrest bolting with allen screws M8x40 and washers Ø8,4.
Original screws are obsolete.
Sandwich alu spacers Ø18xØ9x7mm between footrest and engine guard.

(Spacers are obsolete when mounting a center stand together with the engine guard).



Engine guard

KAWASAKI KLR 650

US-Model from 2008

Item-No.: 502.206 black

Side cases

Top cases

luggage frames

Lock it system

Softbags

Aluminium luggage

Leather luggage

Protection bars

Center stands

Chopper parts

Accessories



Assembling instructions

Fastening of the engine guard

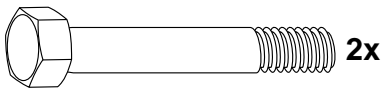
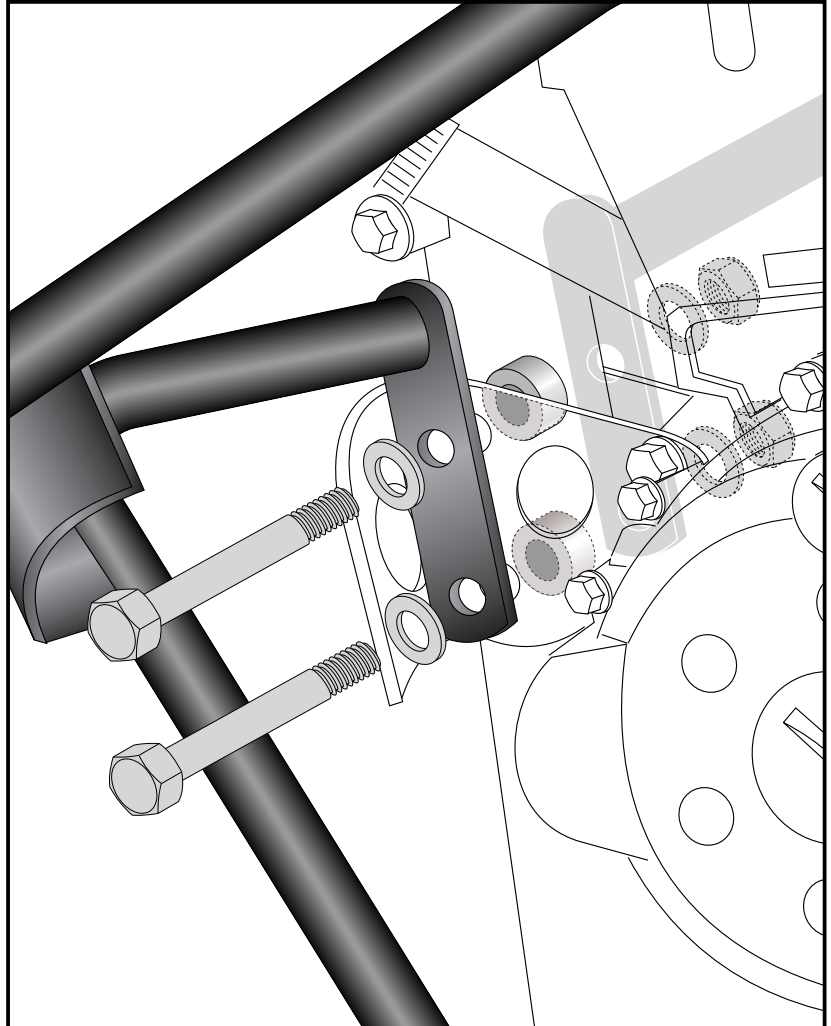
front left + right:

above the engine suspension at the frame - original screws are obsolete. Use hexagon bolts M8x100, washers Ø8,4 and self lock nuts M8.

Sandwich alu spacers Ø18xØ9x7mm between frame and the retaining plate of the original engine protection plate.

Mount tank, engine protection plate, side cover and seat again.

3



Control all screw connections after the assembling for tightness!
Please notice our enclosed service information.

Also available:

Side carrier (Lock it System)

Rear rack

Center Stand

Item.-No.: 650.206 00 01

Item.-No.: 650.206 01 01

Item.-No.: 505.206 00 01



Hepco & Becker GmbH
An der Steinmauer 6
D-66955 Pirmasens
Germany

Tel.: +49 6331 - 1453 - 100
Fax: +49 6331 - 1453 - 120
eMail: vertrieb@hepco-becker.de
www.hepco-becker.de