



EVOTECH®
P E R F O R M A N C E

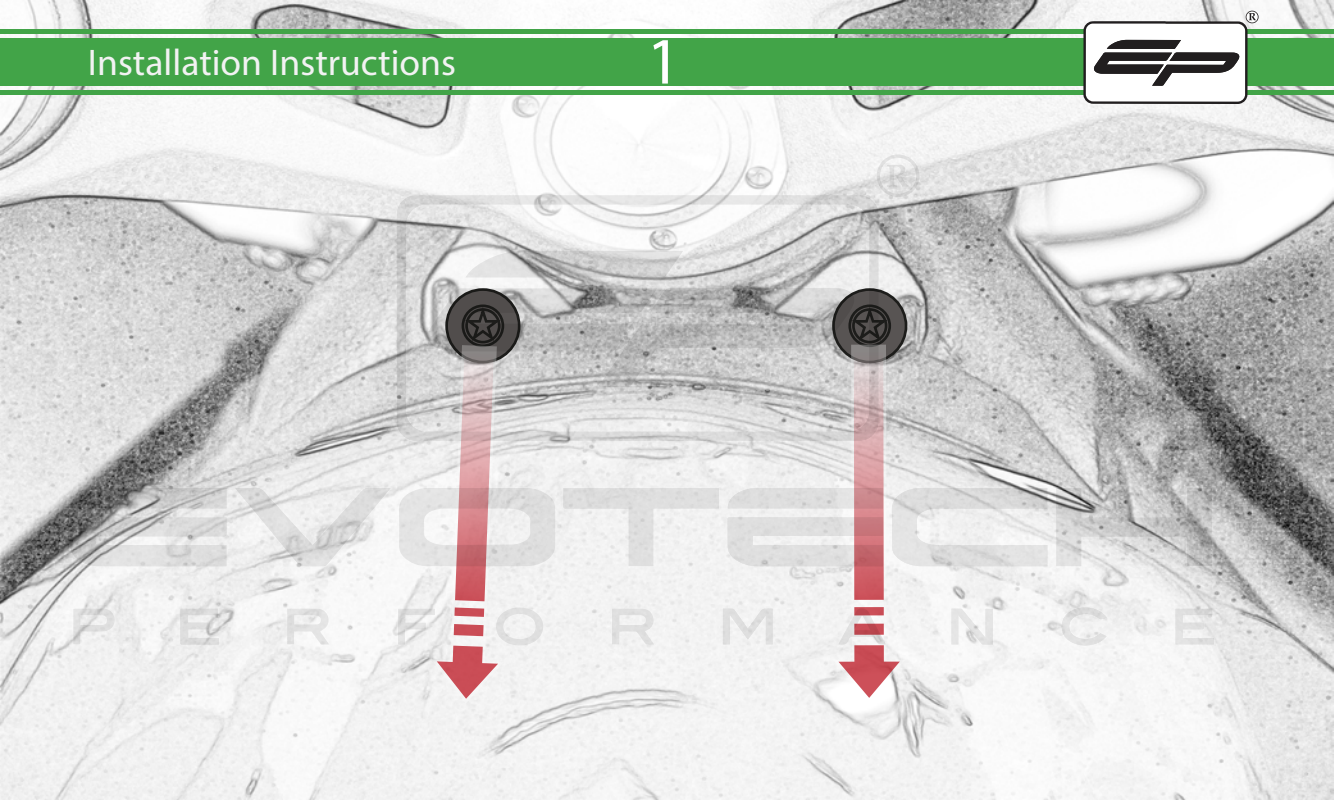
www.evotech-performance.com

Triumph Speed Triple RR
Tom Tom Sat Nav Mount



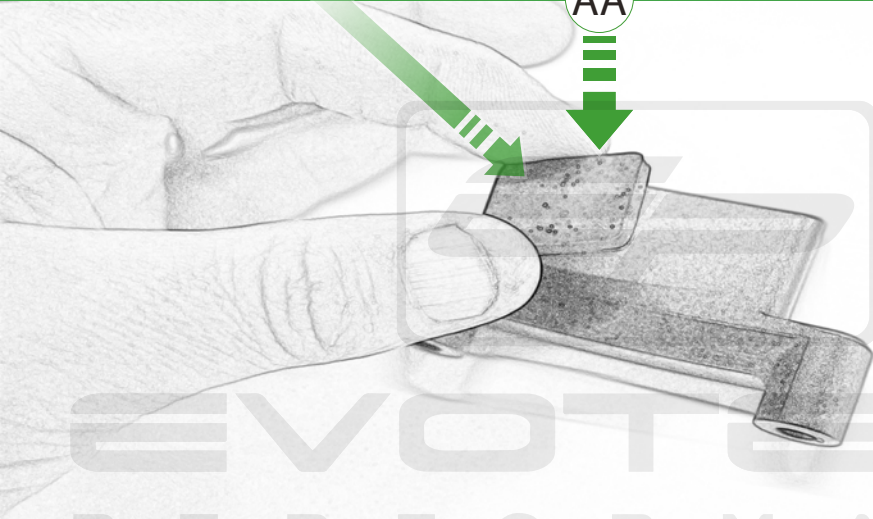
- (A) 1 x Main Plate
 - (B) 1 x Pivot Plate
 - (C) 1 x Sub Mounting Bracket
 - (D) 2 x M5 x 8mm Black Button Head Bolts
 - (E) 2 x Lobe Screw
 - (F) 2 x Locking Washer
 - (G) 2 x P-clips (No.1)
 - (H) 2 x P-clips (No.2)
 - (I) 2 x P-clips (No.3)
 - (J) 2 x P-clips (No.4)
 - (K) 2 x M5 Black Washer
 - (L) 2 x M4 x 5mm Black Button Head Bolts
 - (M) 4 x M5 x 12mm Black Button Head Bolts
- Sub Kit
- (AA) 1 x Pad
 - (BB) 2 x M6 x 35 Cap Head
 - (CC) 2 x M6 x 12mm Black Button Head

P E R F O R M A N C E

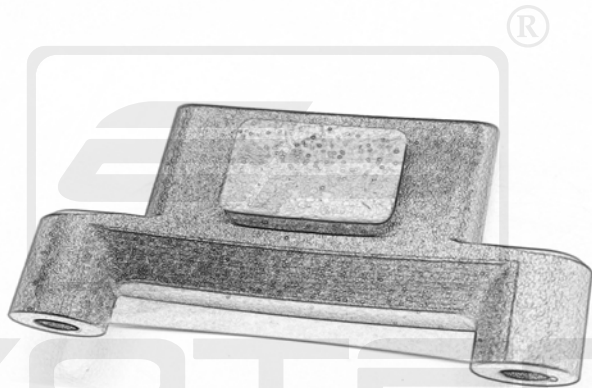




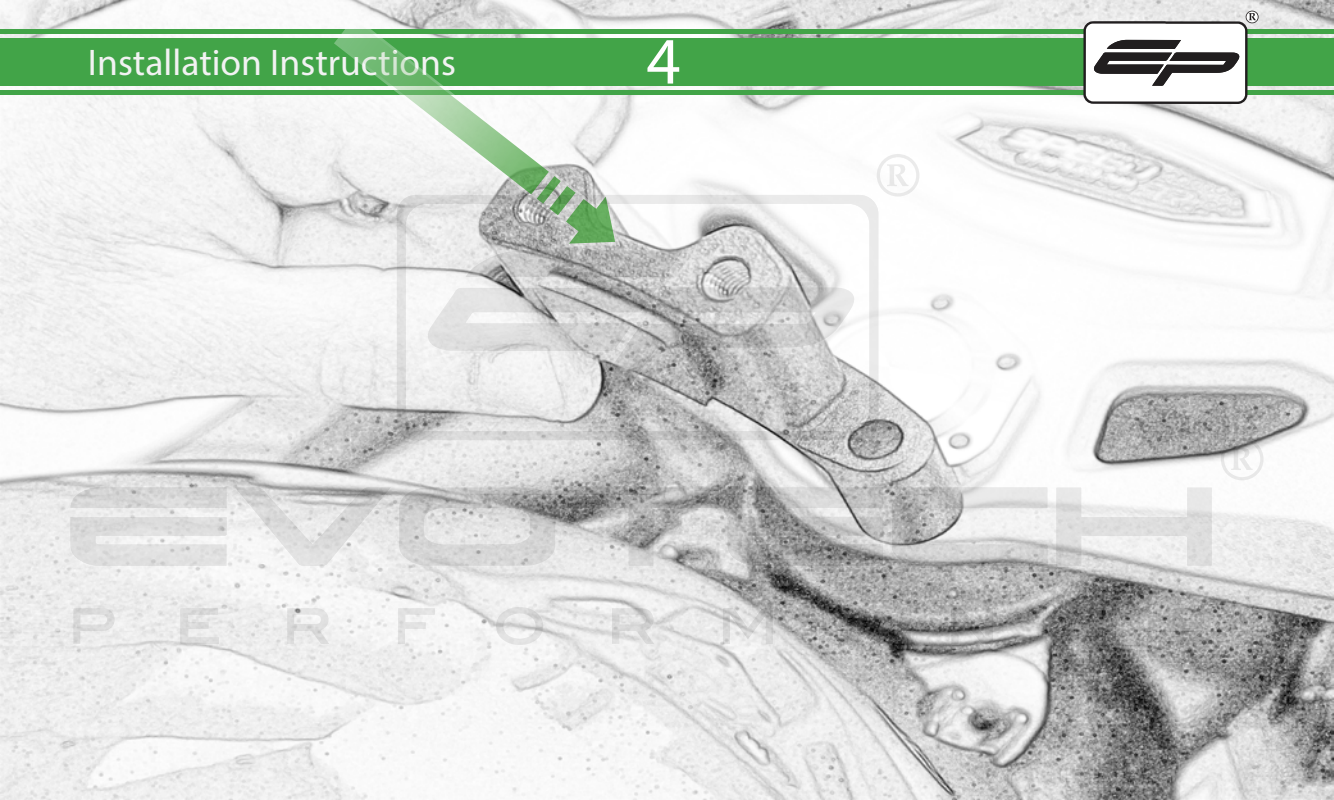
AA 2

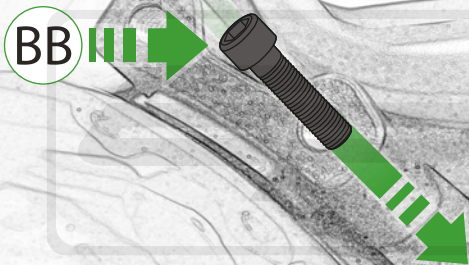


EVOTEK[®]
PERFORMANCE[®]



EVOTECH[®]
P E R F O R M A N C E





EVOT
P E R F O R M A N C E

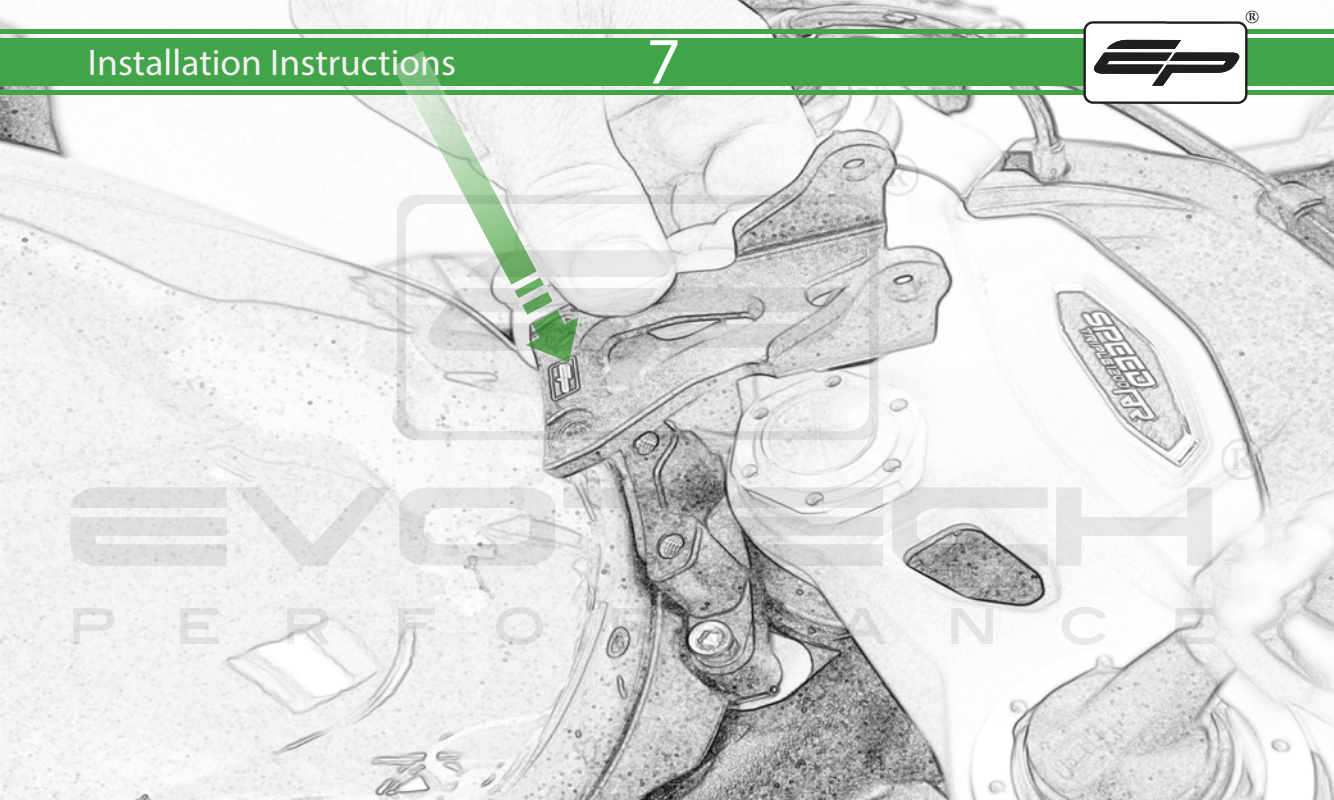


BB 

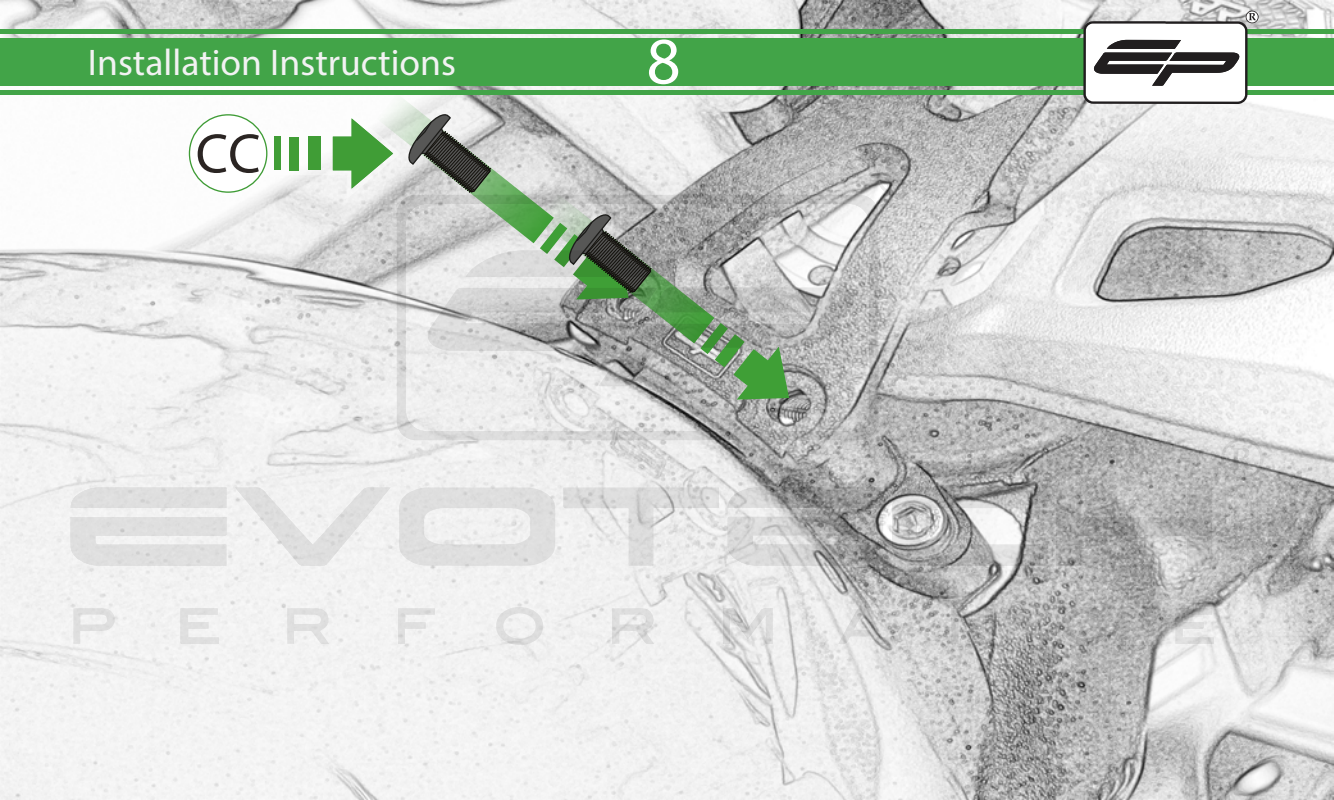


EVO TECH

PERFORMANCE



EVOTECH
PERFORMANCE



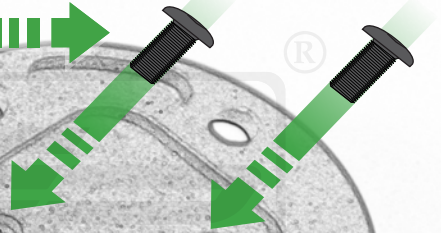
EVO
PERFORMANCE



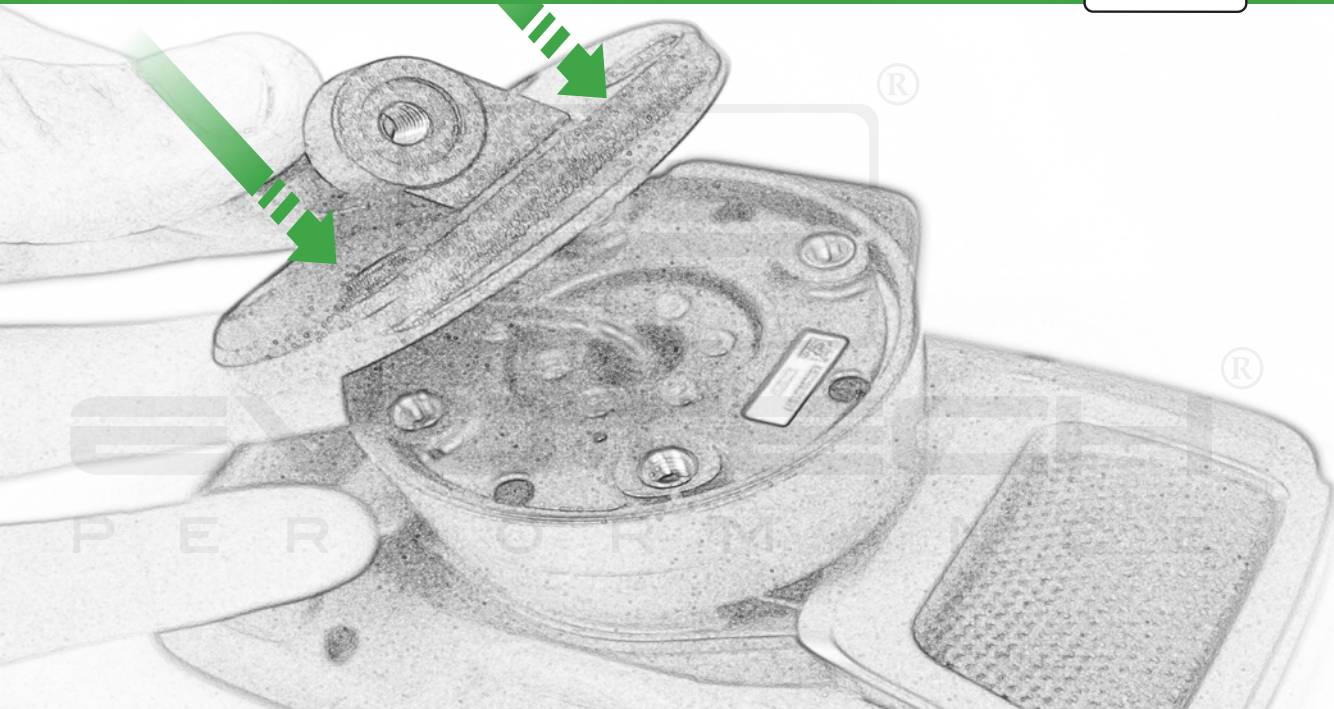
EVO
PERFORMANCE

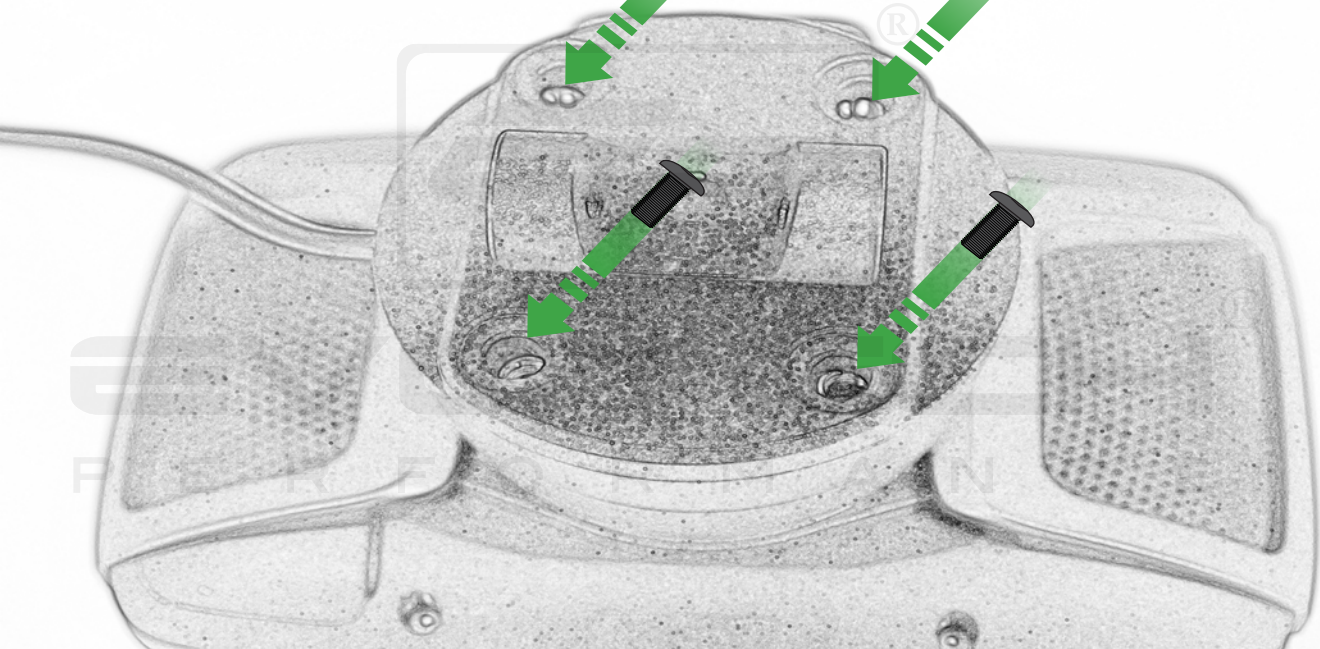


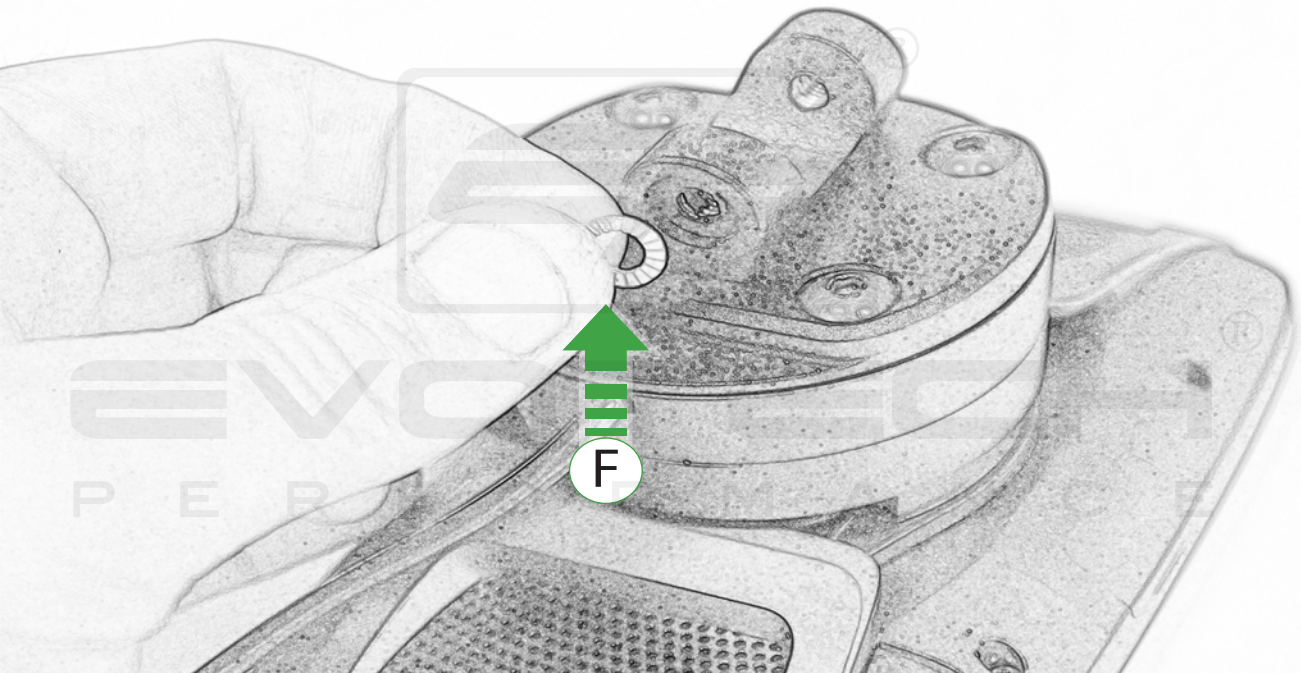
D

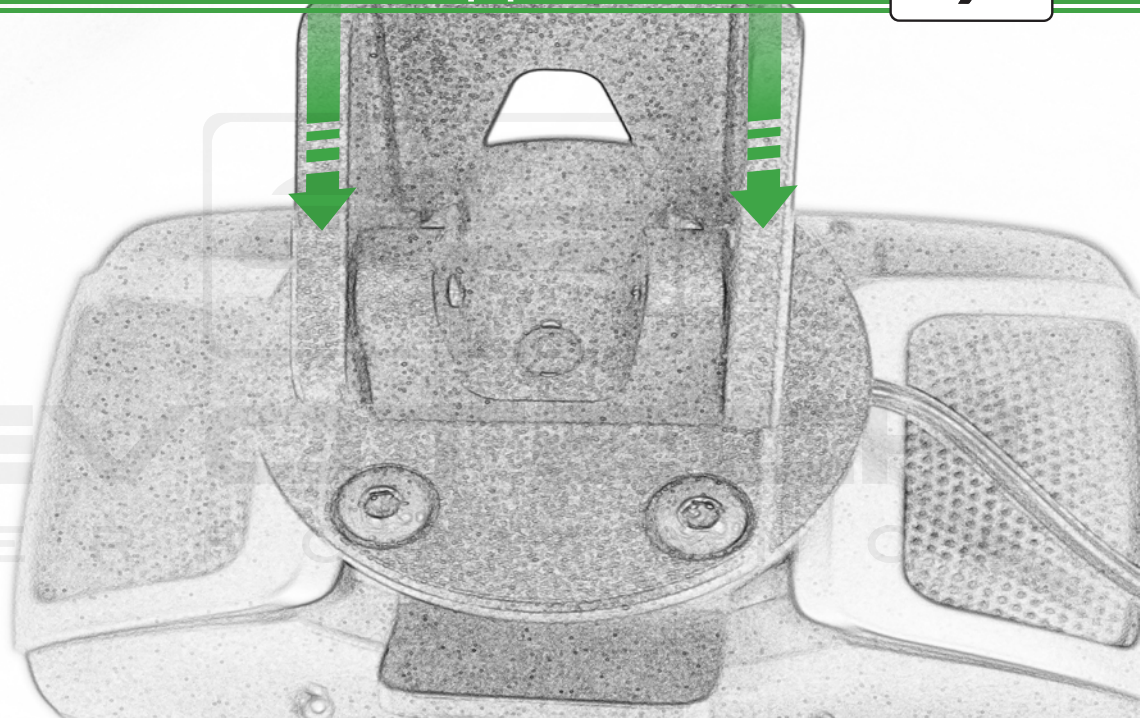


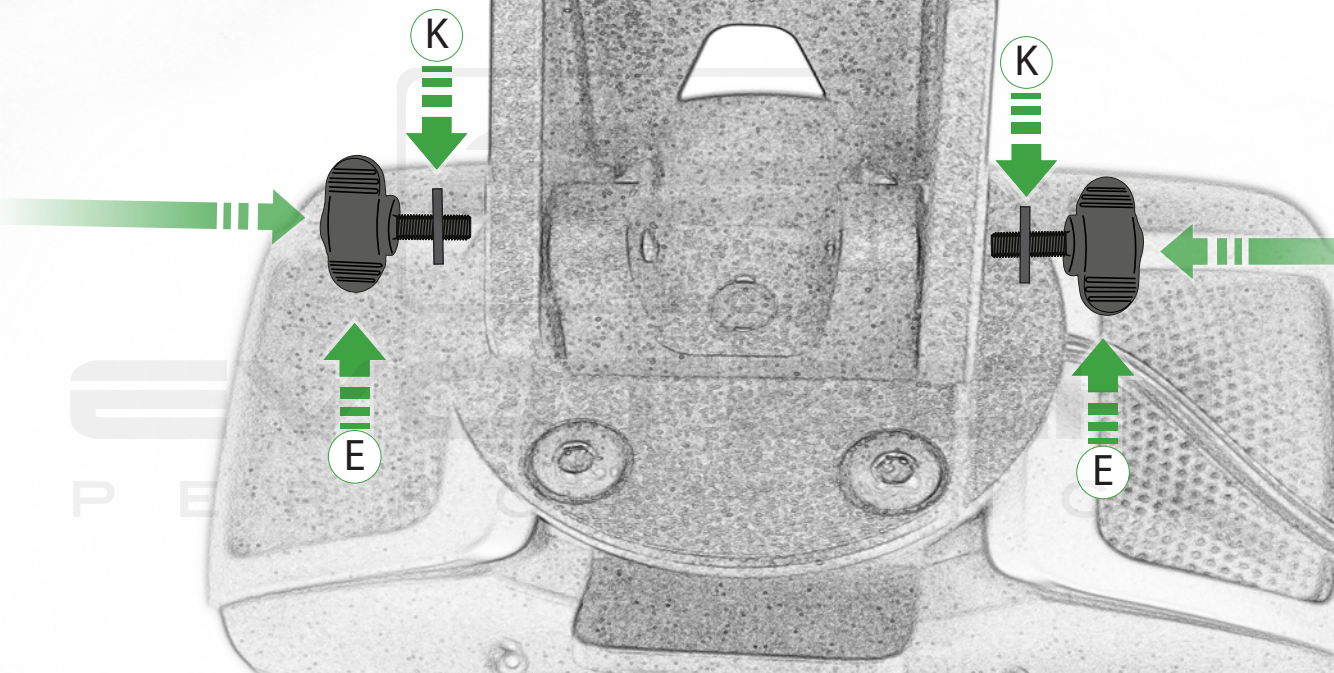
EV
PERFORMANCE













ESSENTIAL CHECKS



It is recommended that periodic inspections are made to ensure that all bolts are tightened to the specified torque settings.

Should the bike be involved in an accident a thorough inspection should be made and any components that have taken an impact, no matter how small, be replaced



EVOTECH®
P E R F O R M A N C E

www.evotech-performance.com