

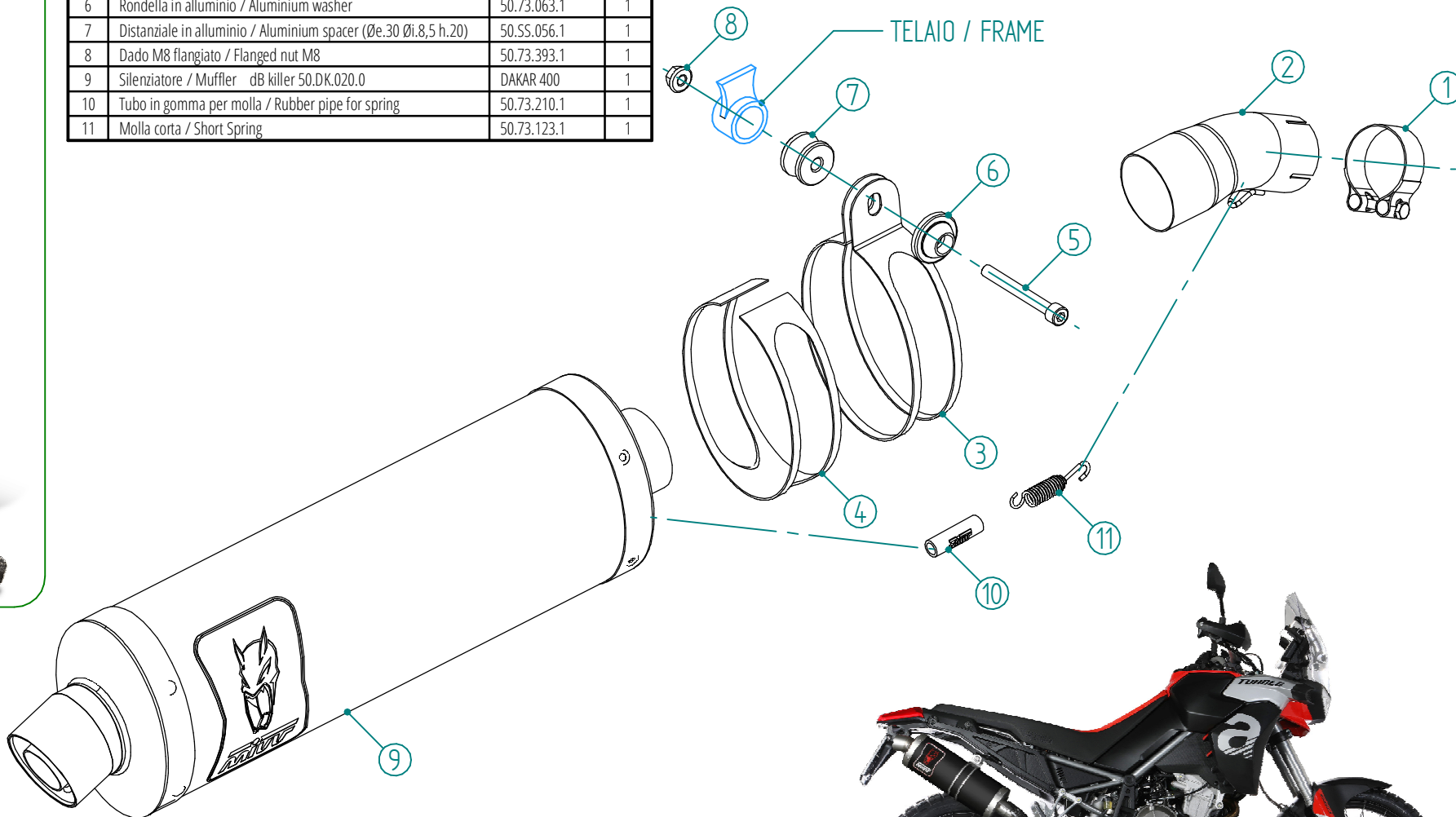
#	DESCRIPTION	PART NUMBER	QTY
1	Fascetta Ø 48/51 mm / Pipe clamp Ø 48/51 mm	50.FA.007.1	1
2	Tubo di raccordo / Link pipe	9773A017SE	1
3	Staffa / Bracket	50.SS.002.0	1
4	Protezione in gomma per staffa / Rubber protection for bracket	50.73.041.1	1
5	Vite M8x70 / Screw M8x70	50.73.086.1	1
6	Rondella in alluminio / Aluminium washer	50.73.063.1	1
7	Distanziale in alluminio / Aluminium spacer (Øe.30 Øi.8,5 h.20)	50.SS.056.1	1
8	Dado M8 flangiato / Flanged nut M8	50.73.393.1	1
9	Silenziatore / Muffler dB killer 50.DK.020.0	DAKAR 400	1
10	Tubo in gomma per molla / Rubber pipe for spring	50.73.210.1	1
11	Molla corta / Short Spring	50.73.123.1	1

OPTIONAL PARTS

Carter in carbonio - Carbon cover
00.73.ACC.070.0



Impianto no kat - No kat pipe
00.73.A.017.C1



APPLICAZIONI / APPLICATIONS

CODICE / CODE	SILENZIATORE / MUFFLER	TUBO / PIPE
A.017.LEKB	STEEL BLACK	INOX / ST. STEEL
A.017.LEKX	INOX / ST. STEEL	