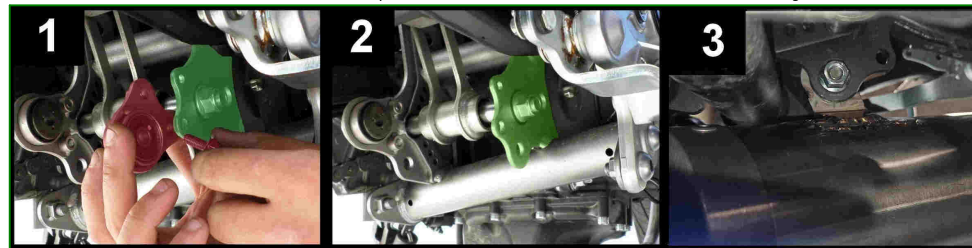
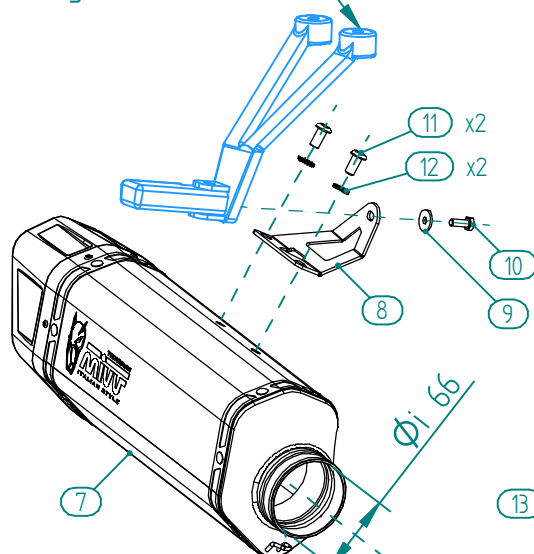


- Rimuovere il supporto del terminale originale. - Remove the support of the original exhaust.
- Parte di telaio su cui fissare la staffetta MIVV. - Frame part where MIVV's bracket shall be fixed.
- Fissaggio terminale MIVV. - MIVV's exhaust fixing.



#	DESCRIPTION	PART NUMBER	QTY
1	Collettore #1 / Down pipe #1	9773Y071SRXA	1
2	Collettore #2 / Down pipe #2	9773Y071SRXB	1
3	Tubo di raccordo 2-1 / Link pipe 2-1	9773Y071SRXC	1
4	Tubo di raccordo / Link pipe	9773Y071SRXD	1
5	Pre-silenziatore / Pre-silencer	9773Y071SRXE	1
6	Tubo di raccordo / Link pipe	9773Y071SRXF	1
7	Silenziatore / Muffler db killer 50.DK.182.0	SR-1 300	1
8	Staffa / Bracket	50.SS.1363.0	1
9	Rondella M6 / Washer M6	50.73.187.1	1
10	Vite M6x16 / Screw M6x16	50.73.087.1	1
11	Vite M8 x 16 / Screw M8 x 16	50.73.098.1	2
12	Rondella di sicurezza / Safety washer	50.73.604.1	2
13	Fascetta con bussola / Pipe clamp with bush	50.73.915.0	2
14	Carter in carbonio / Carbon cover	50.CR.053.1	1
15	Rondella M6 / Washer M6	50.72.027.1	2
16	Vite M6 x 8 / Screw M6 x 8	50.72.026.1	2
17	Vite M8x20 / Screw M8x20	50.73.894.1	1
18	Rondella in alluminio / Aluminium washer	50.73.221.1	1
19	Dado M8 flangiato / Flanged nut M8	50.73.393.1	1
20	Molla media / Mid-size spring	50.73.359.1	2
21	Molla corta / Short Spring	50.73.123.1	5
22	Gommino per molla / Rubber for spring	50.73.210.1	7

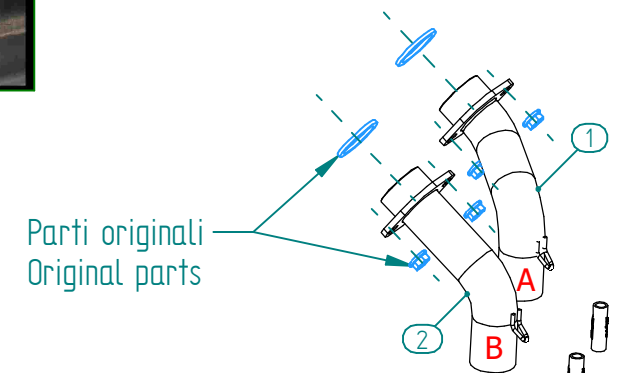
Pedana originale
Original footrest



cod. 50.73.1015.1

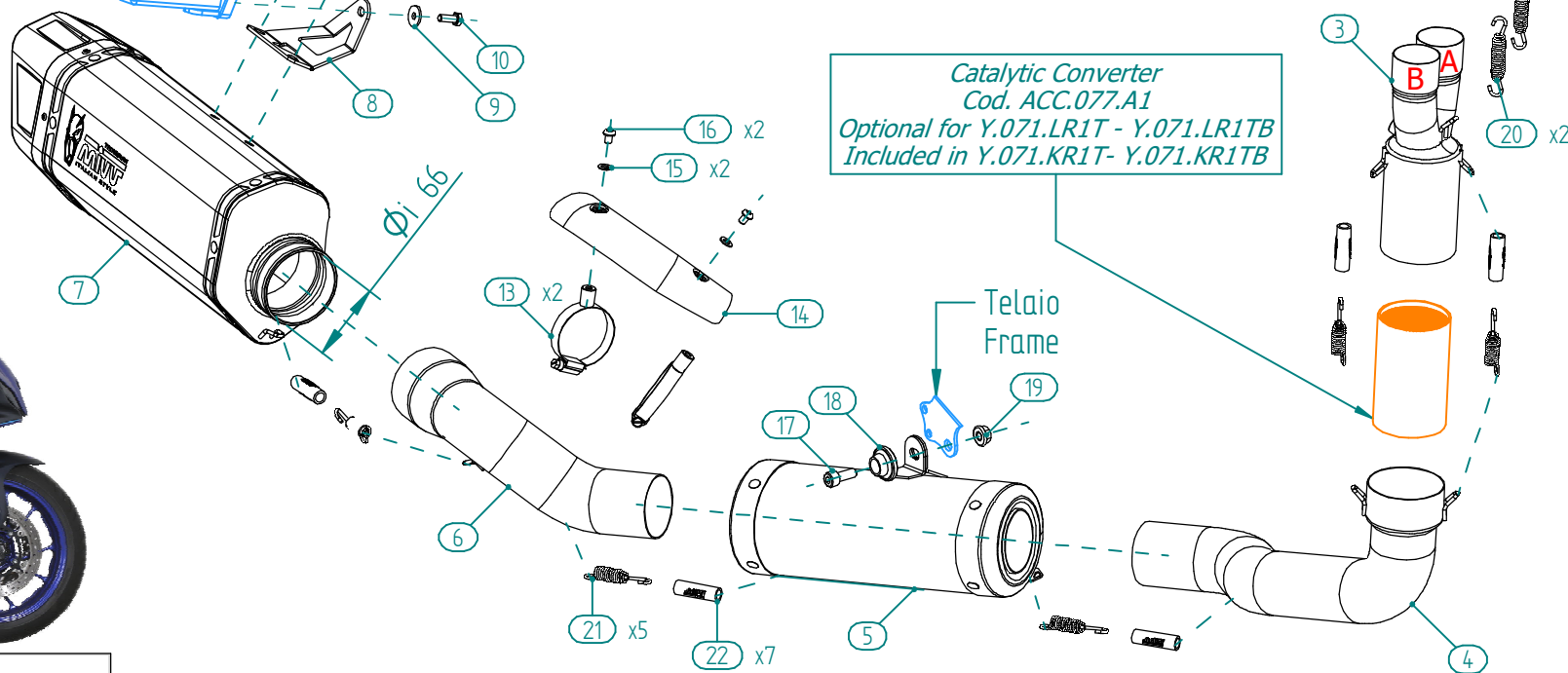
Cavo prolunga sonda lambda
Lambda probe extension cable

Parti originali
Original parts



Catalytic Converter
Cod. ACC.077.A1
Optional for Y.071.LR1T - Y.071.LR1TB
Included in Y.071.KR1T- Y.071.KR1TB

Telaio
Frame



APPLICAZIONI / APPLICATIONS

CODICE / CODE	SILENZIATORE / MUFFLER	NOTE	TUBO / PIPE
Y.071.LR1T	TITANIO / TITANIUM	CATALYTIC CONVERTER NOT INCLUDED	INOX / ST. STEEL
Y.071.LR1TB	TITANIO NERO / BLACK TITANIUM		
Y.071.KR1T	TITANIO / TITANIUM	CATALYTIC CONVERTER INCLUDED	
Y.071.KR1TB	TITANIO NERO / BLACK TITANIUM		