



**EVOTECH**®  
P E R F O R M A N C E

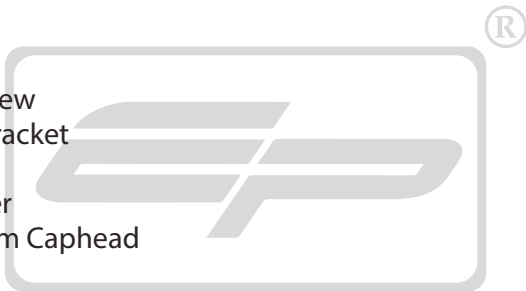
[www.evotech-performance.com](http://www.evotech-performance.com)

EP Action / Safety Camera Front  
Mudguard Mount

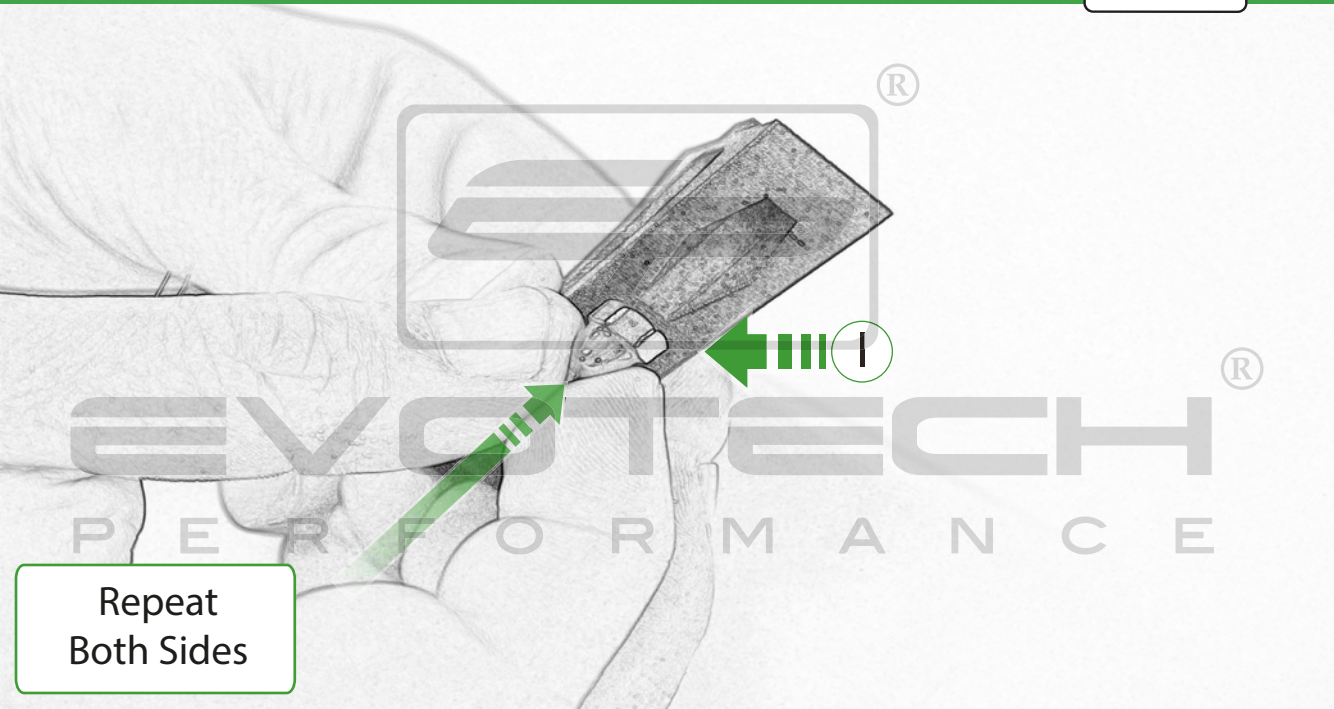


## Kit Contents

- Ⓐ 1 x Thumbscrew
- Ⓑ 1 x Camera Bracket
- Ⓒ 1 x M5 Nyloc
- Ⓓ 1 x M5 Washer
- Ⓔ 1 x M5 x 30mm Caphead
- Ⓕ 1 x O-Ring
- Ⓖ 1 x Thumb Screw Spacer
- Ⓗ 2 x M5 x 12mm Button Head
- Ⓘ 2 x M5 Dome Nut
- Ⓝ 2 x Support Brackets
- Ⓚ 2 x Spacer
- Ⓛ 2 x M6 Bolt



EVO PERFORMANCE<sup>®</sup>



Repeat  
Both Sides

PERFORMANCE

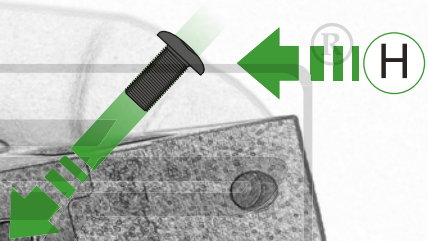
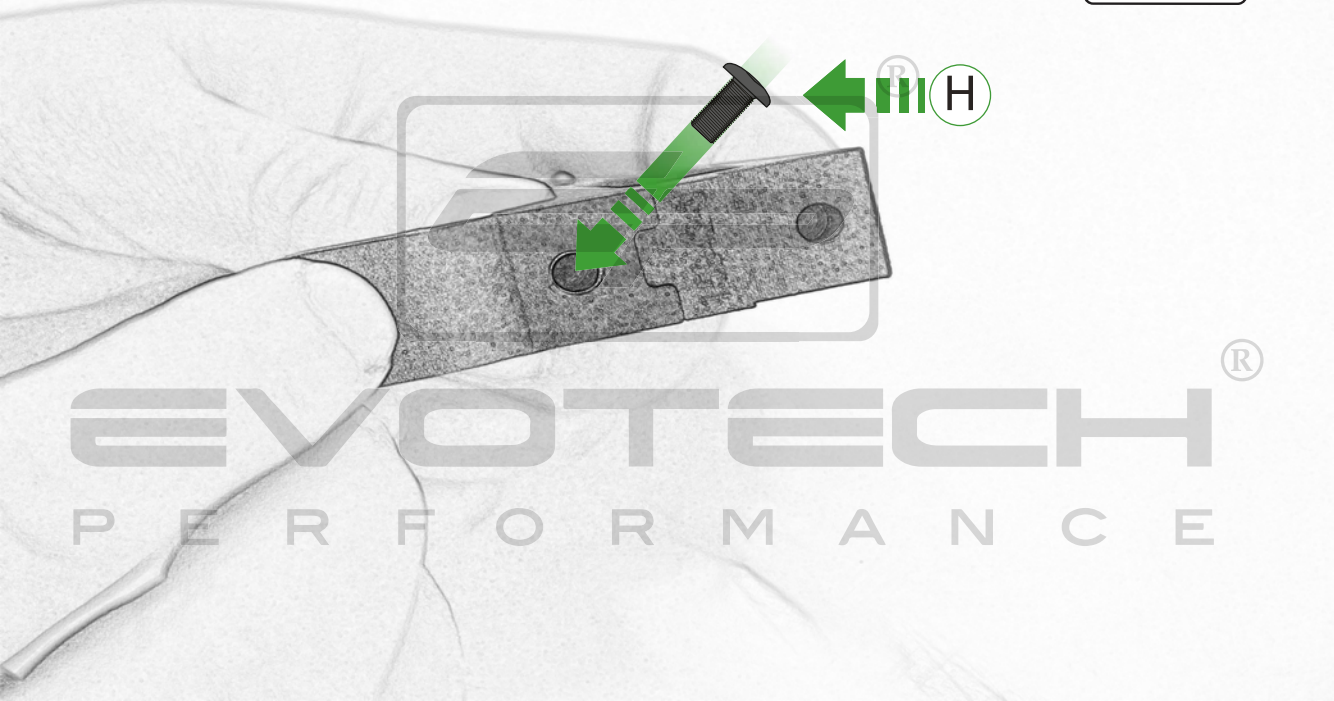


EVOTECH<sup>®</sup>

P E R F O R M A N C E





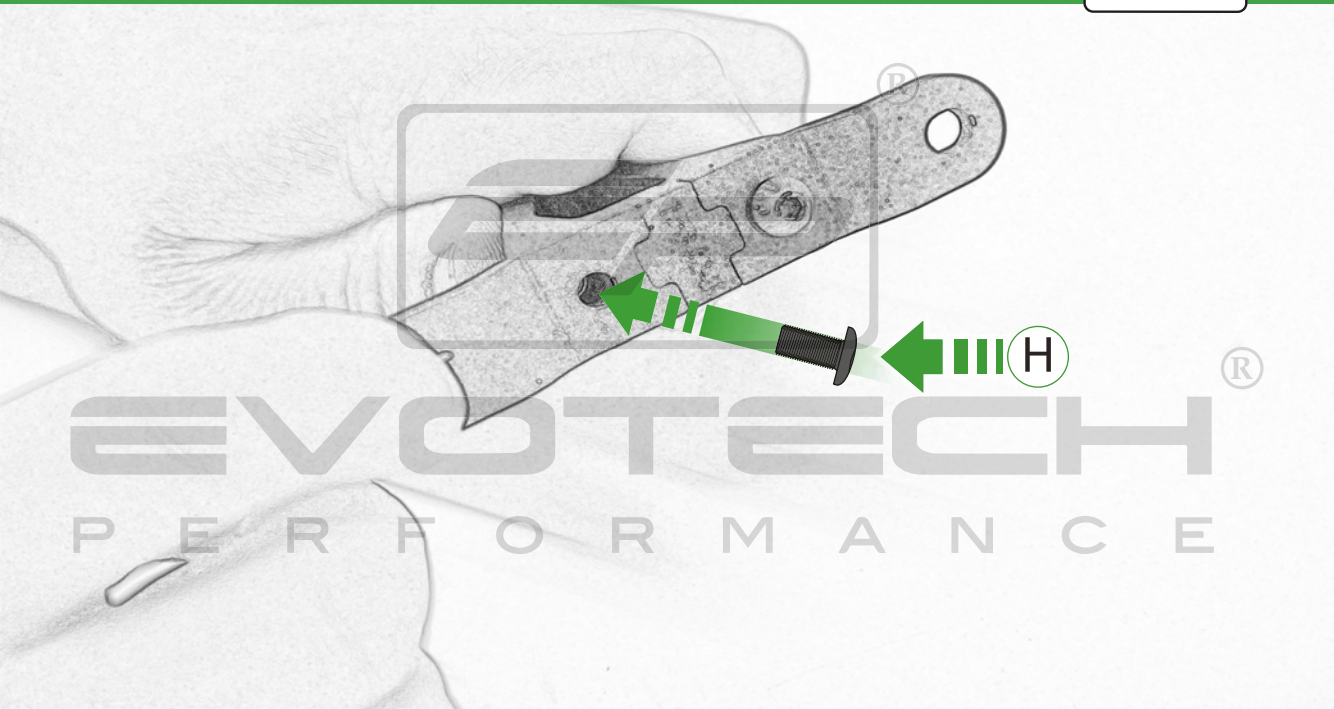


**EVOTECH**®  
P E R F O R M A N C E



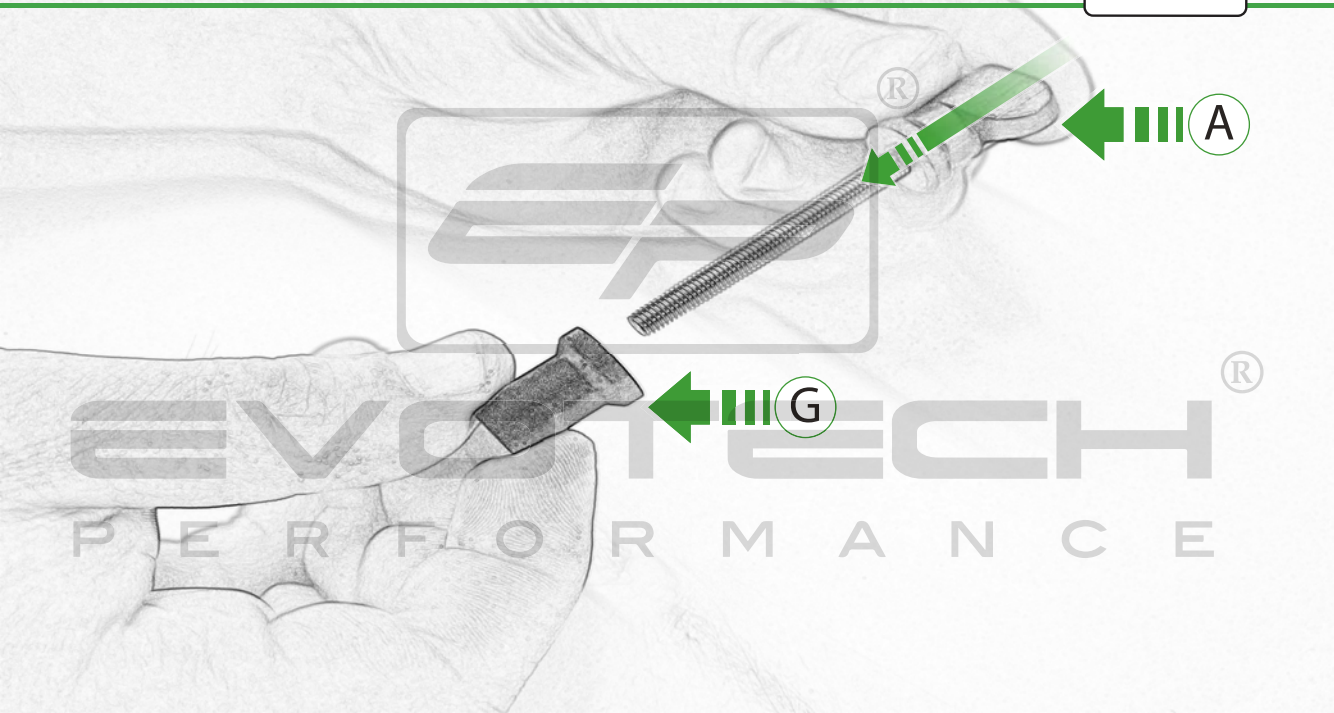
EVOLUTECH<sup>®</sup>  
P E R F O R M A N C E

J



EVOTECH<sup>®</sup>

P E R F O R M A N C E



A

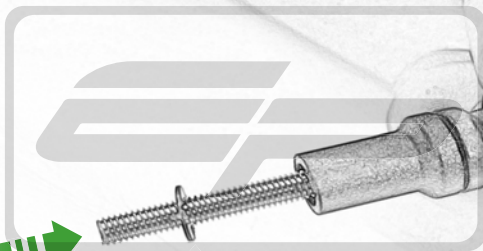
G

EVERTECH

PERFORMANCE



**EVO TECH**®  
PERFORMANCE



EVOTECH<sup>®</sup>

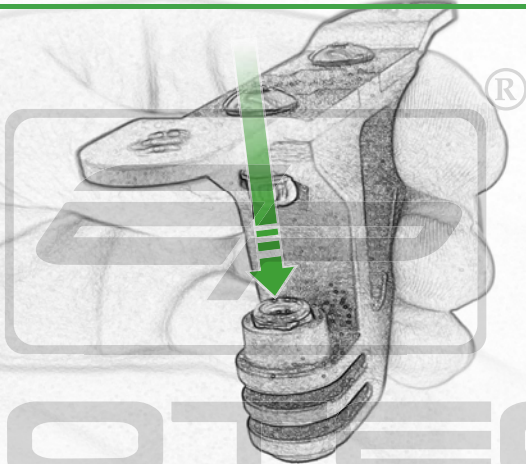
P E R F O R M A N C E





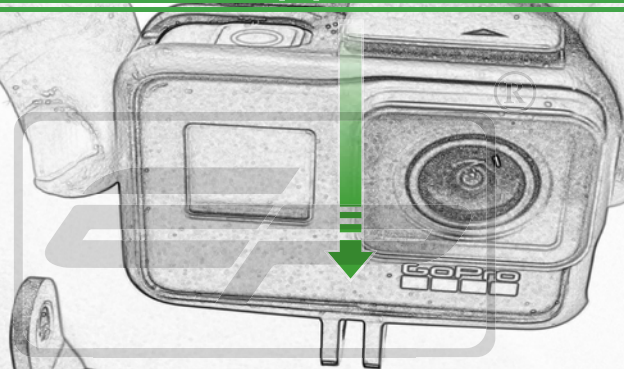
C

EVERTECH®  
P E R F O R M A N C E

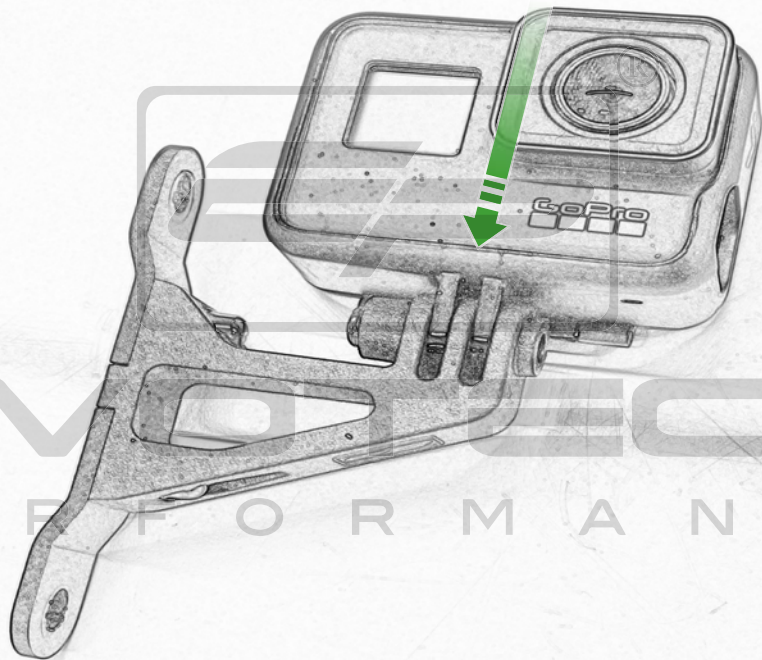


**EVOTECH**®  
P E R F O R M A N C E

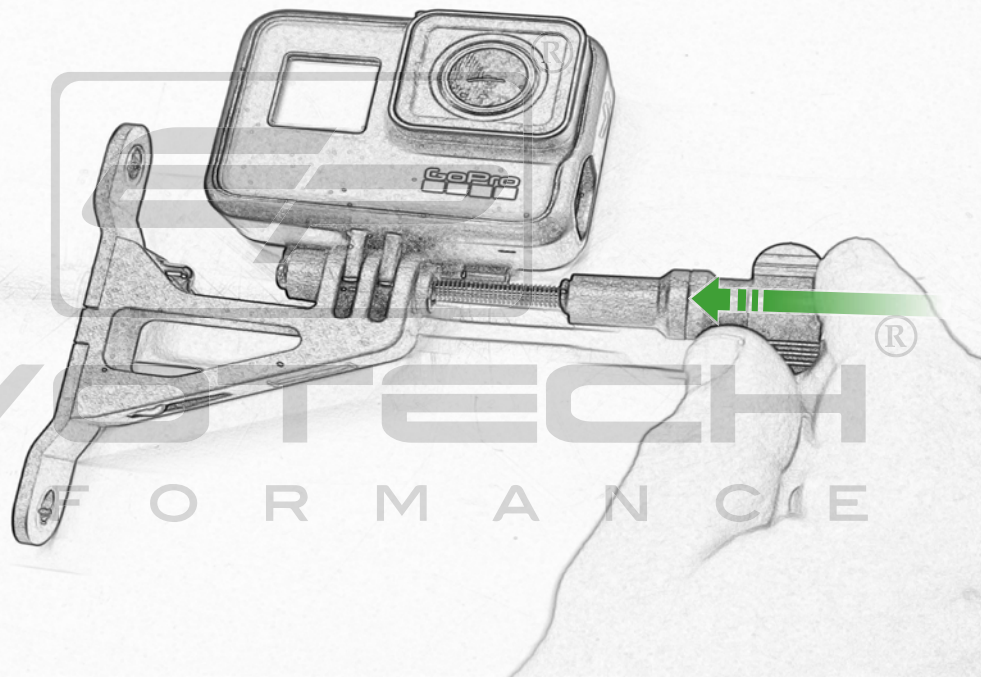




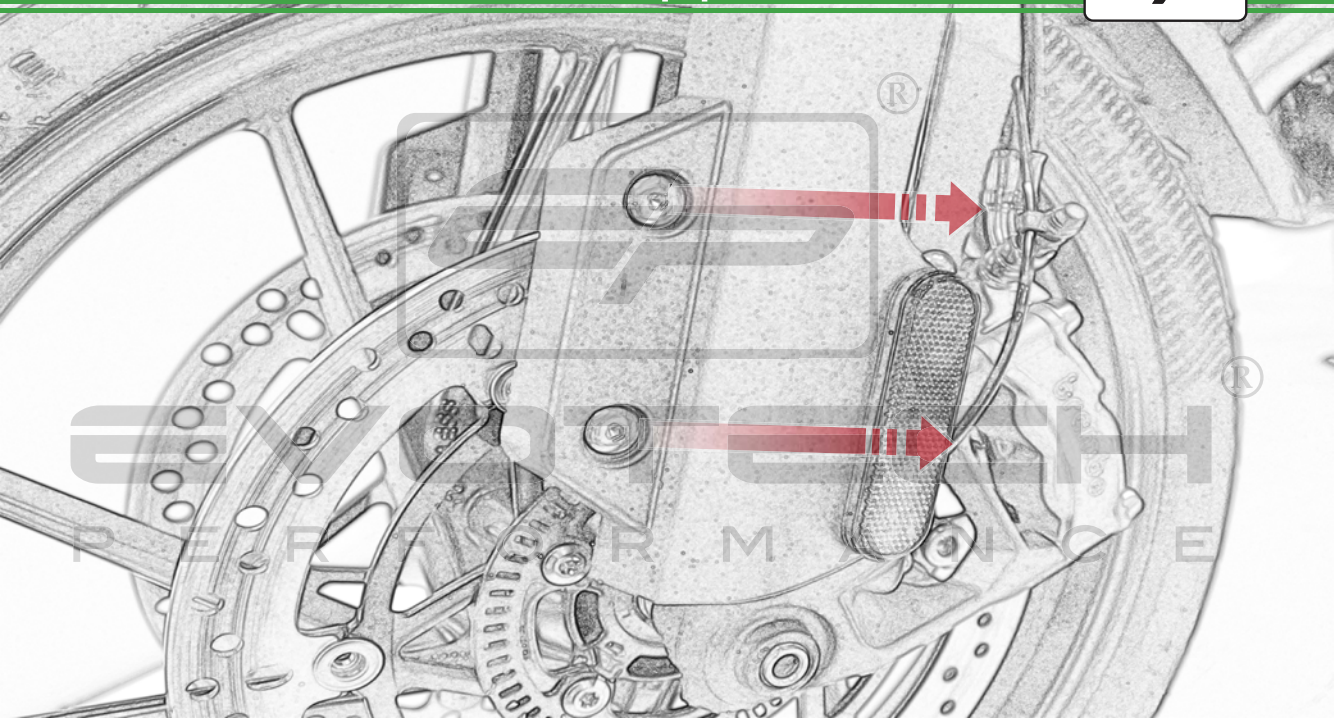
**EVO TECH**®  
P E R F O R M A N C E

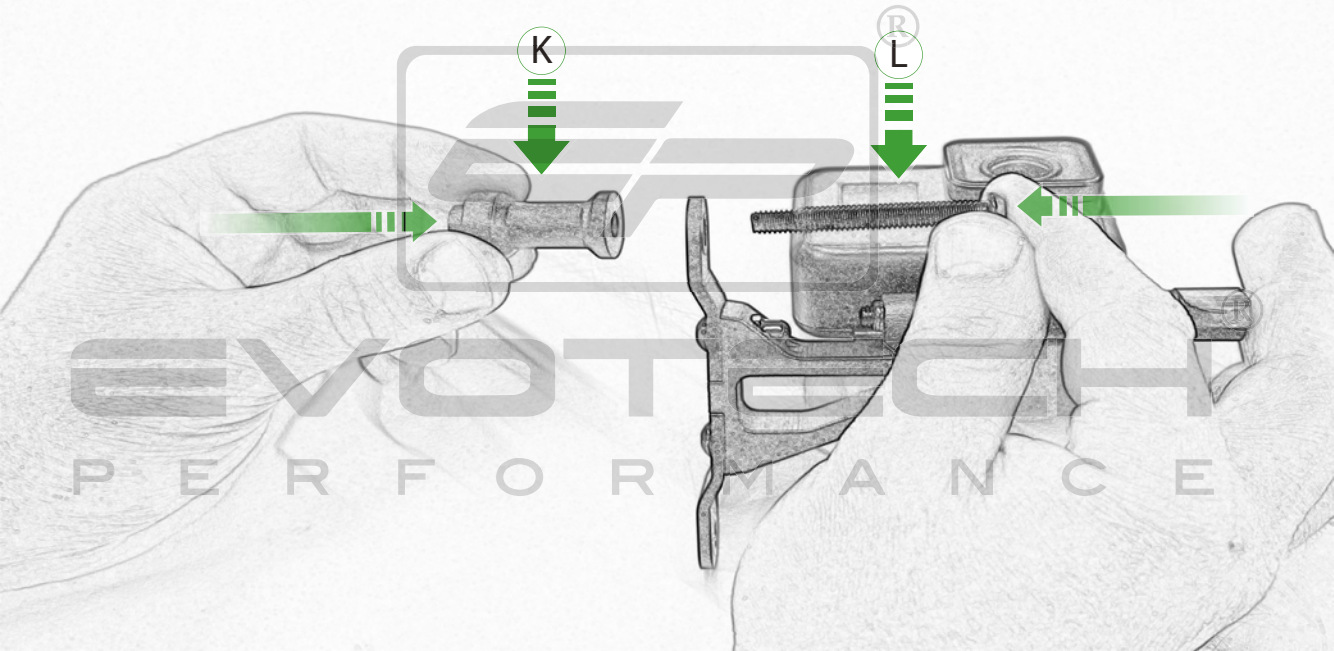


**EVO** <sup>®</sup>  
PERFORMANCE

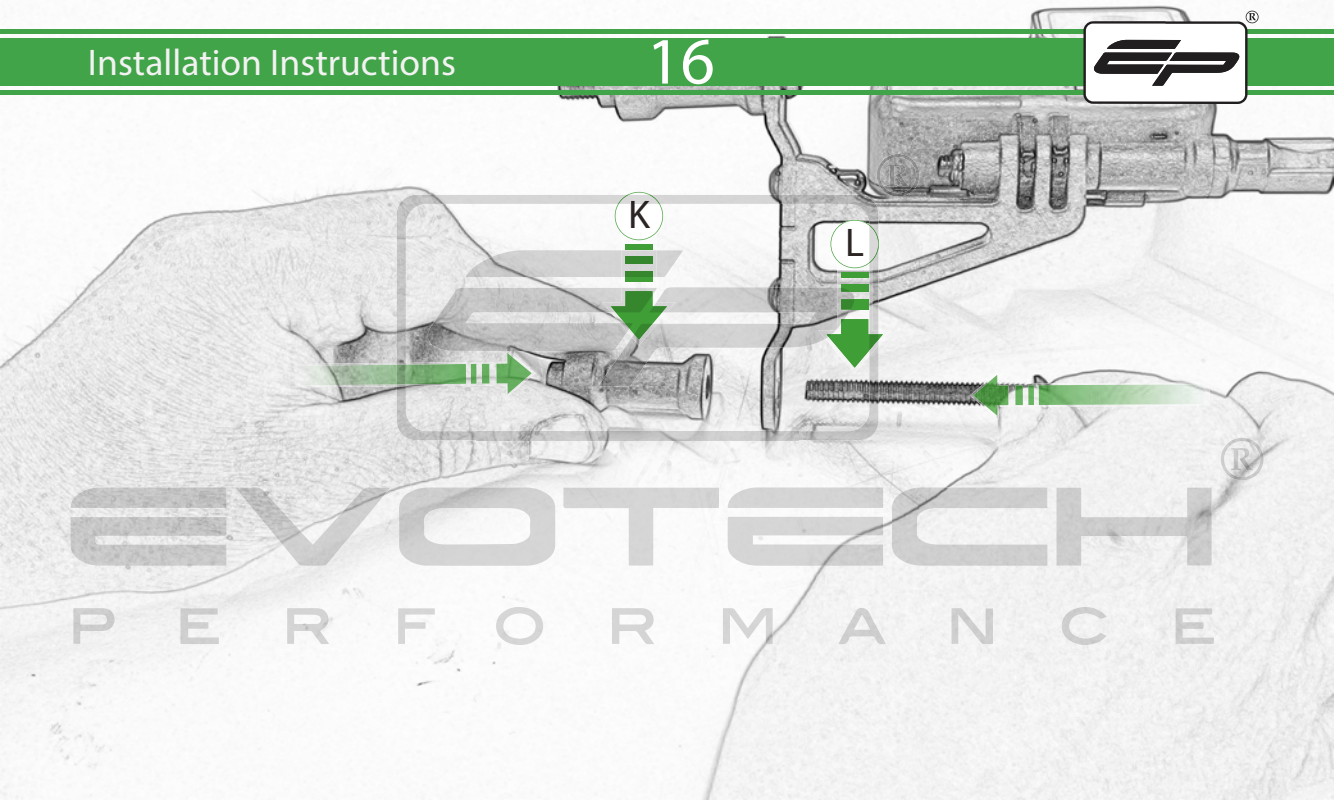


EVER TECH  
PERFORMANCE



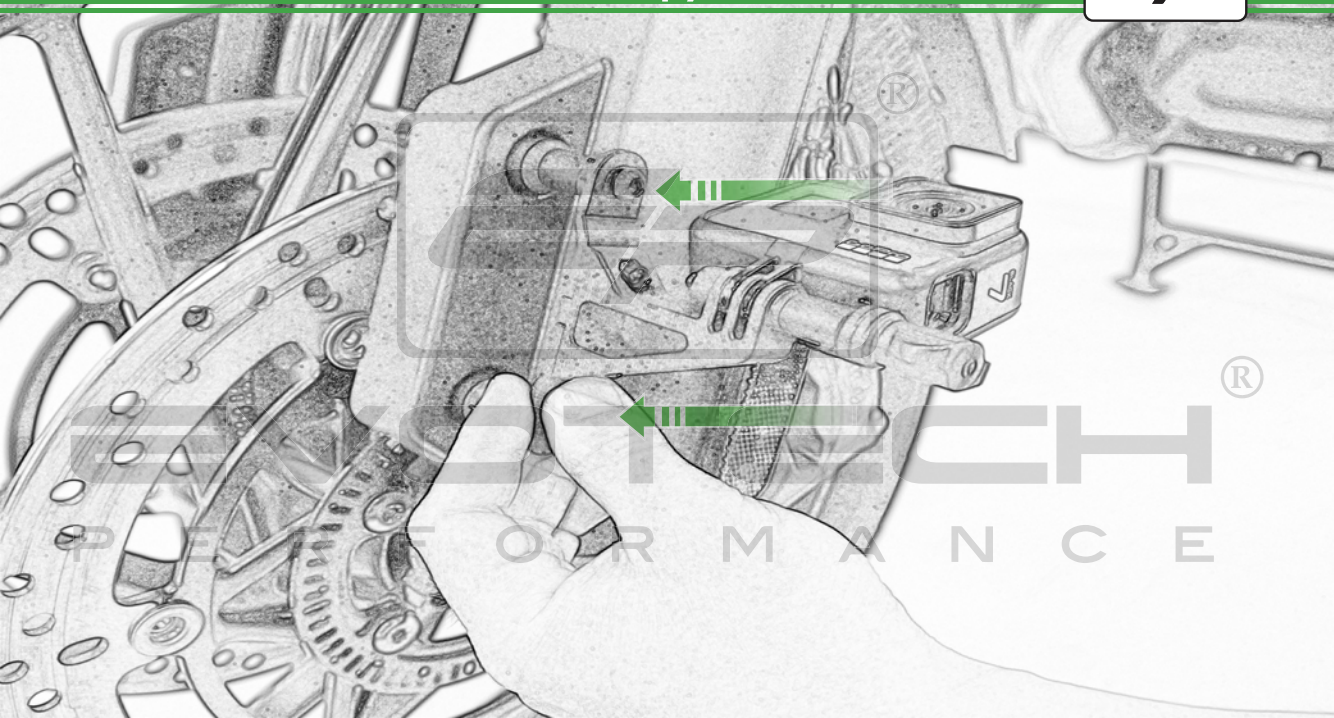


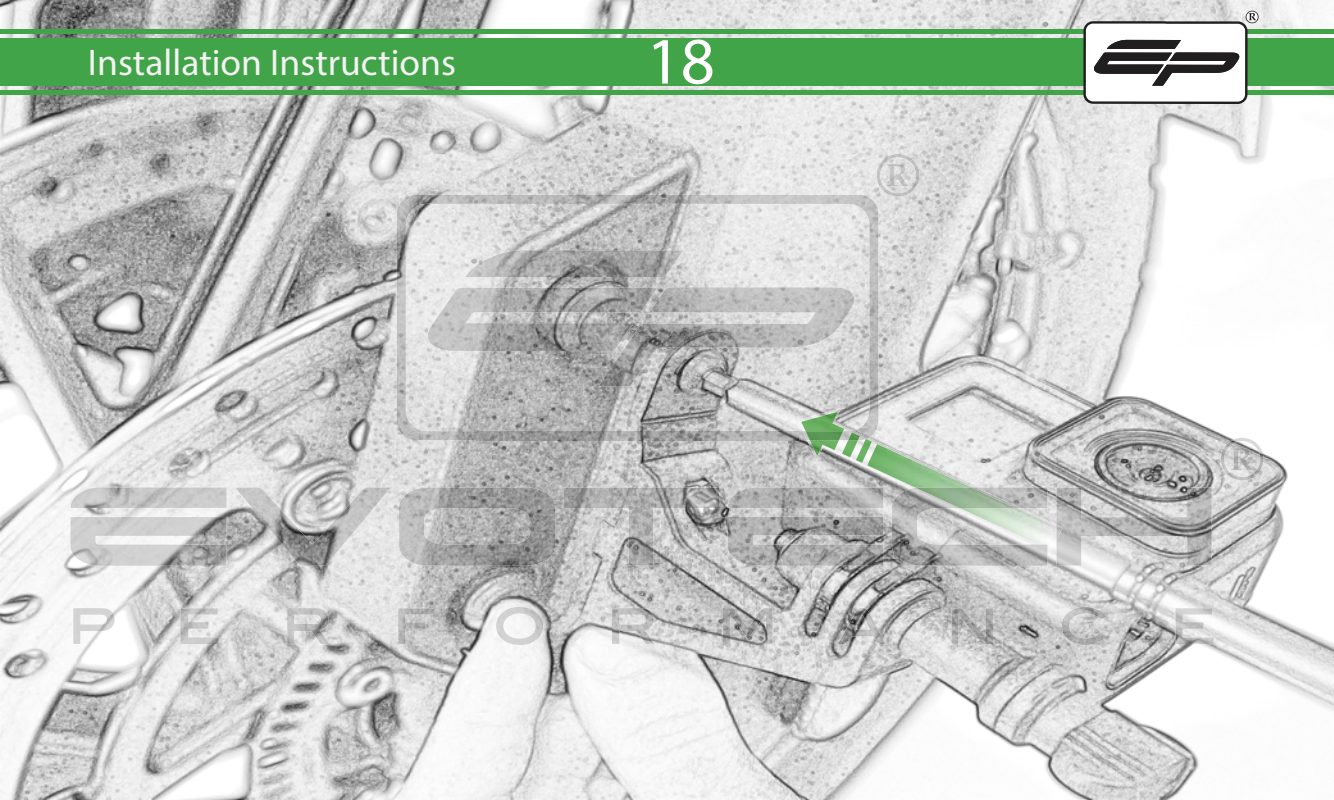




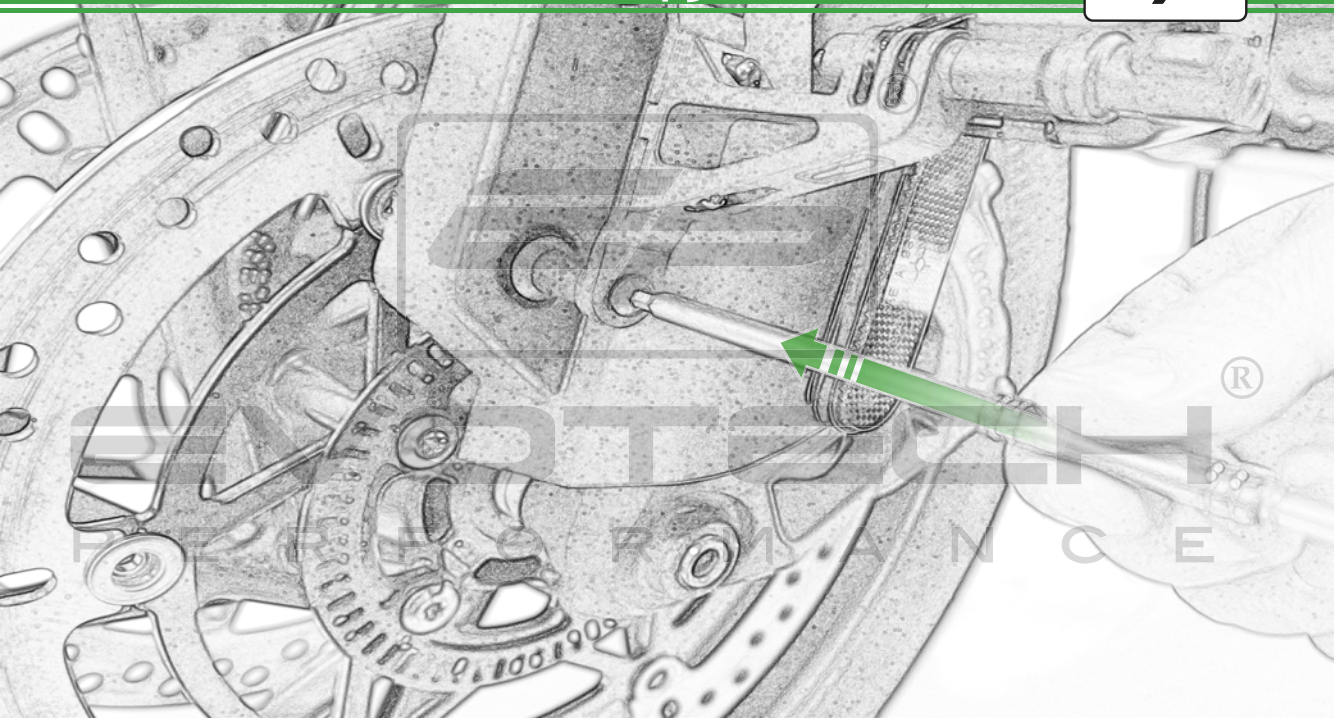
EVOTECH

P E R F O R M A N C E











## **ESSENTIAL CHECKS**



It is recommended that periodic inspections are made to ensure that all bolts are tightend to the specified torque settings.

Should the bike be involved in an accident a thorough inspection should be made and any components that have taken an impact, no matter how small, be replaced

P E R F O R M A N C E



**EVOTECH**®  
P E R F O R M A N C E

[www.evotech-performance.com](http://www.evotech-performance.com)