



MODEL SUZUKI SV 650

YEAR 2004-->

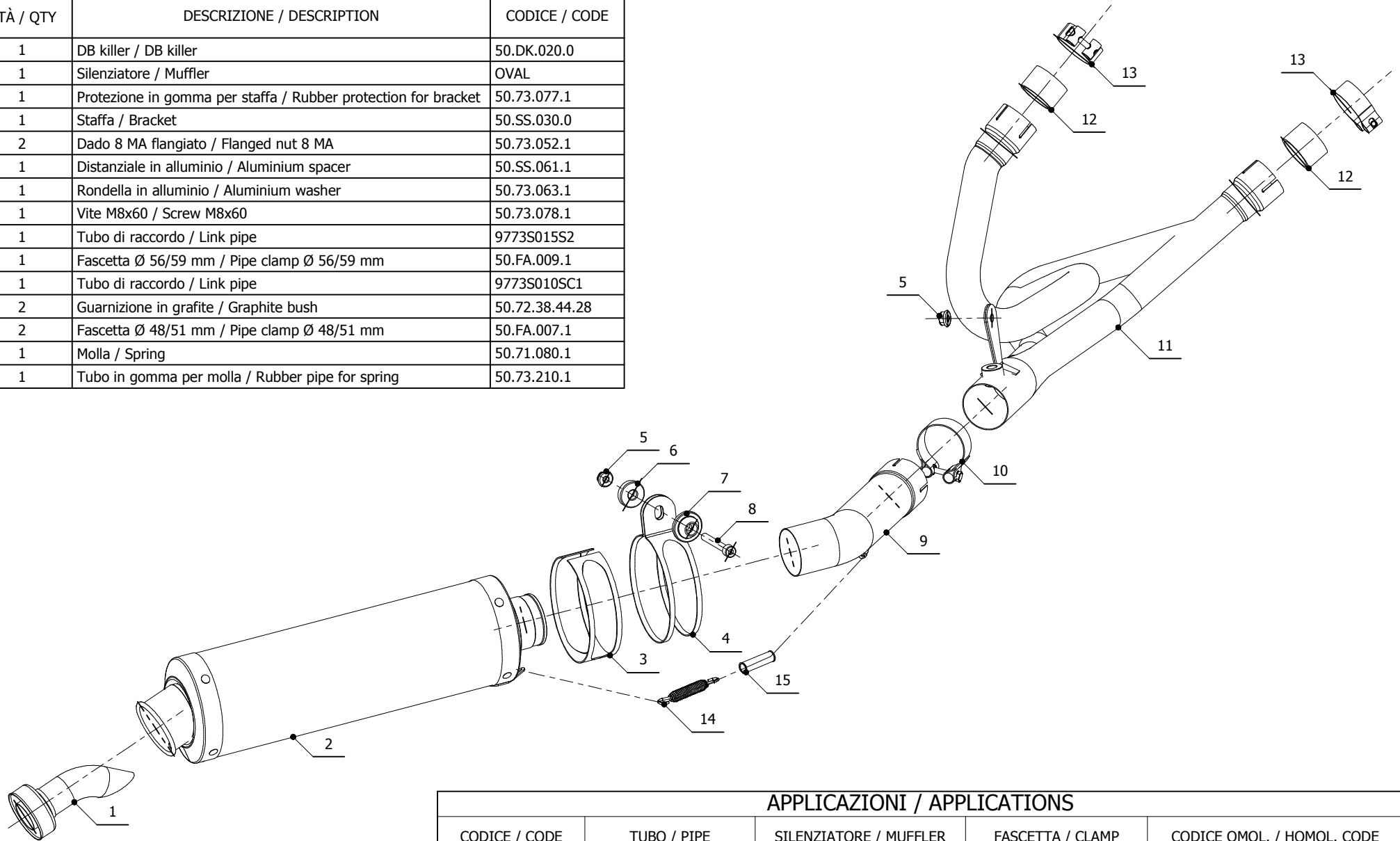
LINE SPORT

MUFFLER OVAL

SCHEMATIC

ELENCO PARTI / PARTS LIST

| # | QTÀ / QTY | DESCRIZIONE / DESCRIPTION | CODICE / CODE |
|----|-----------|--|----------------|
| 1 | 1 | DB killer / DB killer | 50.DK.020.0 |
| 2 | 1 | Silenziatore / Muffler | OVAL |
| 3 | 1 | Protezione in gomma per staffa / Rubber protection for bracket | 50.73.077.1 |
| 4 | 1 | Staffa / Bracket | 50.SS.030.0 |
| 5 | 2 | Dado 8 MA flangiato / Flanged nut 8 MA | 50.73.052.1 |
| 6 | 1 | Distanziale in alluminio / Aluminium spacer | 50.SS.061.1 |
| 7 | 1 | Rondella in alluminio / Aluminium washer | 50.73.063.1 |
| 8 | 1 | Vite M8x60 / Screw M8x60 | 50.73.078.1 |
| 9 | 1 | Tubo di raccordo / Link pipe | 9773S015S2 |
| 10 | 1 | Fascetta Ø 56/59 mm / Pipe clamp Ø 56/59 mm | 50.FA.009.1 |
| 11 | 1 | Tubo di raccordo / Link pipe | 9773S010SC1 |
| 12 | 2 | Guarnizione in grafite / Graphite bush | 50.72.38.44.28 |
| 13 | 2 | Fascetta Ø 48/51 mm / Pipe clamp Ø 48/51 mm | 50.FA.007.1 |
| 14 | 1 | Molla / Spring | 50.71.080.1 |
| 15 | 1 | Tubo in gomma per molla / Rubber pipe for spring | 50.73.210.1 |



APPLICAZIONI / APPLICATIONS

| CODICE / CODE | TUBO / PIPE | SILENZIATORE / MUFFLER | FASCETTA / CLAMP | CODICE OMOL. / HOMOL. CODE |
|---------------|------------------|------------------------|------------------|----------------------------|
| S.015.LX1 | INOX / ST. STEEL | INOX / ST. STEEL | INOX / ST. STEEL | ME022 e9 1214 |