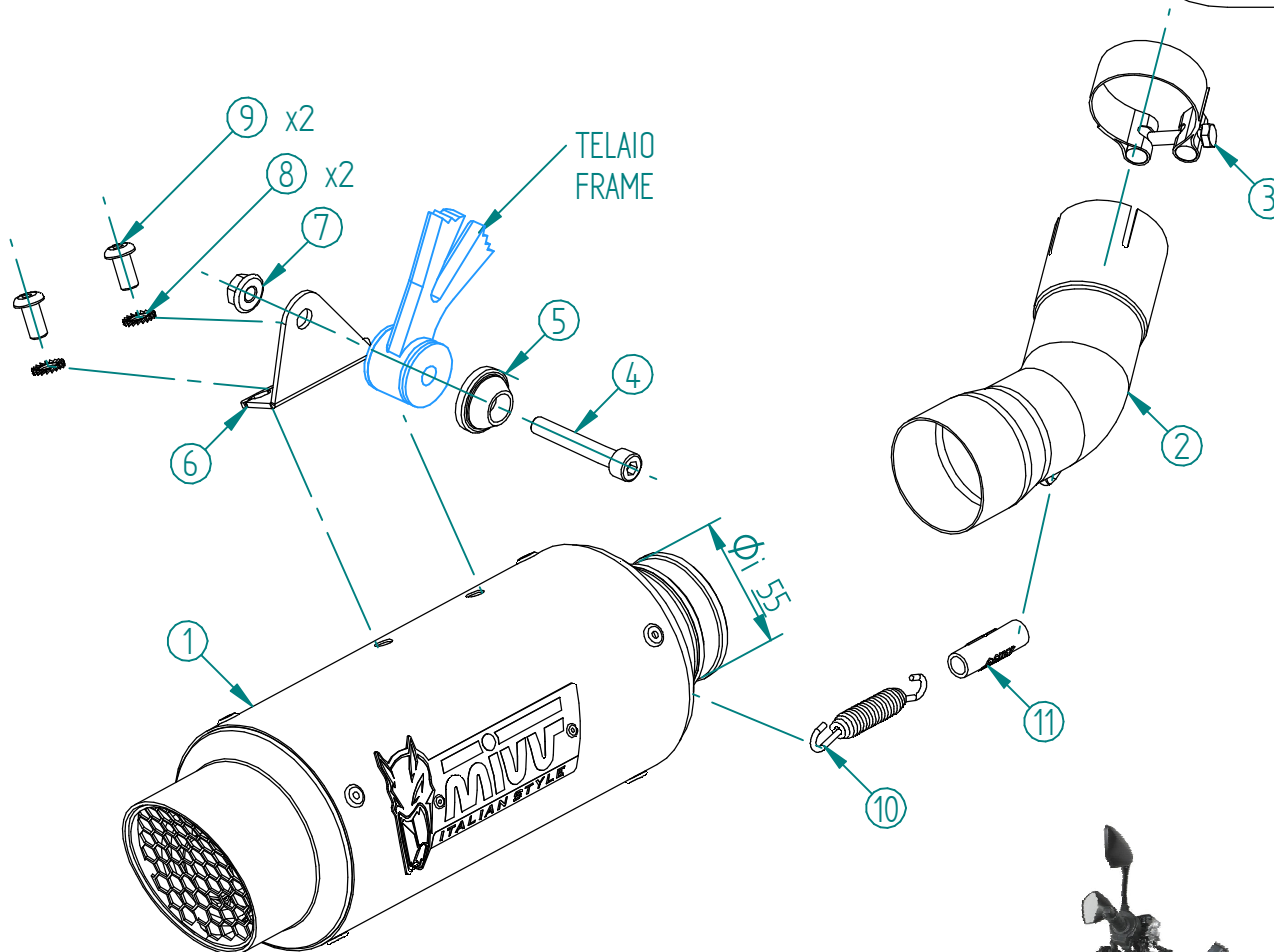


#	DESCRIPTION	PART NUMBER	QTY
1	Silenziatore / Muffler - dB killer 50.DK.150.0	GP PRO 220	1
2	Tubo di raccordo / Link pipe	9773H085S2	1
3	Fascetta Ø 48/51 mm / Pipe clamp Ø 48/51 mm	50.FA.007.1	1
4	Vite M8x50 / Screw M8x50	50.73.074.1	1
5	Rondella in alluminio / Aluminium washer	50.73.291.1	1
6	Staffa / Bracket	50.SS.1399.0	1
7	Dado M8 flangiato / Flanged nut M8	50.73.393.1	1
8	Rondella di sicurezza / Safety washer	50.73.604.1	2
9	Vite M8 x 16 / Screw M8 x 16	50.73.098.1	2
10	Molla media / Mid-size spring	50.73.359.1	1
11	Tubo in gomma per molla / Rubber pipe for spring	50.73.210.1	1

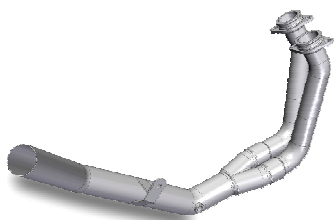


OPTIONAL PARTS



ACC.070.0

Cover paracalore / Heat shield cover



H.085.C1

Impianto no kat / No kat full collectors

Monta sia con silenzatori MIVV che con lo scarico originale
Compatible with both MIVV and original silencer



APPLICAZIONI / APPLICATIONS

CODICE / CODE	SILENZIATORE / MUFFLER	TUBO / PIPE	LOGO
H.085.L2P	CARBONIO / CARBON FIBER	INOX / ST. STEEL	ALUMINIUM LABEL
H.085.LXBP	STEEL BLACK	INOX / ST. STEEL	LASER